



Dual Stage Drinking Water Filtration System

The North Star NSDW500 Dual Stage Water Filtration System is the perfect choice for residential homes. With NSF certification ensuring advanced contaminant reduction, this system reduces harmful contaminants like Lead, Cysts, and much more, delivering healthier, great-tasting water to refrigerators and any sink in the home. North Star products draw on 100 years of experience, and their U. S.-based customer service team is ready to assist with any future inquiries or needs.

Features

- Easy twist-and-pull filter replacement without shutoff off water supply
- Includes everything needed for installation
- Includes one-year limited warranty
- Faucet Required (sold separately)
- Compatible with North Star filters: NSDW500R



Reduces



CHLORINE



SEDIMENT



CYSTS



LEAD



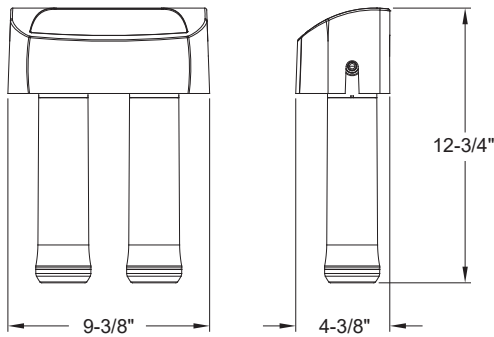
CHEMICALS



NSDW500R

- Compatible North Star system: Dual Stage Water Filtration System (NSDW500)
- Filter Life: 6 Months
- Twist-and-pull design for easy filter replacement
- Contaminant reduction: Chlorine Taste and Odor, Sediment, Cysts, Lead, Chemicals

DUAL STAGE DRINKING WATER FILTRATION SYSTEM NSDW500



SPECIFICATIONS

Model Number	NSDW500
Part Number	7358187
For Use with Filters	NSDW500R (7358195)
Min. - Max. Supply Water Pressure	30 - 100 psi (280 - 689 kPa)
Min. - Max. Supply Water Temperature	40 - 100°F (4 - 38°C)
Inlet - Outlet	3/8" Quick Connect
Flow Rate (gpm)	Up to .05
NSF Certification	42, 53, and 372
WARRANTY	
1 year parts warranty	•



System tested and certified by NSF International against NSF/ANSI Standards 42 and 53. See performance data on page 12 for details.

FOR MORE INFORMATION
www.northstarwater.com

ONE YEAR LIMITED WARRANTY ON UNDERSINK DRINKING WATER FILTER SYSTEM (except filter cartridges)

Warrantor guarantees, to the original owner, that the Undersink Drinking Water Filter System, when installed and maintained in accordance with the instructions, will be free from defects in materials and workmanship for a period of one (1) year from the date of purchase. If, within the first year, a part proves, after inspection, to be defective, Warrantor will, at its sole option, either replace or repair the part without charge except normal shipping and installation charges. Labor to maintain the equipment is not part of the warranty. Filters, which are expendable, are not covered by the warranty.