



**NORTH STAR**<sup>™</sup>  
WATER TREATMENT SYSTEMS



## RESIDENTIAL PRODUCT CATALOG



---

# TABLE OF CONTENTS

## RESIDENTIAL SOFTENING

Cabinet Style Systems .....	4
Two-Tank Systems .....	9

## DRINKING WATER FILTRATION

Drinking Water Systems .....	13
------------------------------	----

## WHOLE HOME FILTRATION

Whole Home Housings .....	18
Whole Home Filters .....	20

SPECIALTY FILTRATION .....	22
----------------------------	----

RESIDENTIAL ACCESSORIES .....	30
-------------------------------	----





# RESIDENTIAL SOFTENING

## 22,000 GRAIN WATER SOFTENER

MODEL: NSC22 | PN: NSC2223

### FEATURES

- Utilizes AutoSense™ Technology to monitor your water usage and determine the optimal frequency of regeneration, minimizing salt and water use
- High-flow valve for optimal water pressure
- Low salt monitor flashes when the softener is low on salt, allowing you a few days to refill the tank
- Built-in tank light for low light conditions
- Ideal for small or medium households
- Can be used with city or well water sources
- Installation kit includes custom fit bypass valve



### SPECIFICATIONS

Model Number	NSC22
Part Number	NSC2223
Household Size	1-4+ people
Max. Capacity (grains)	22,100
Resin (cu. ft)	0.65
Standard Connection Size	1" NPT
Valve	3/4" valve; up to 1" plumbing
Connection Size	1" male pipe thread
Rated Service Flow Rate (gpm)	7.2
Intermittent Flow Rate (gpm @ 30 psi drop)	11.3
Clear Water Iron Reduction (ppm)	6
Electronic Demand	Yes
Max. Efficiency (per minimum salt dose)	4,475 @ 1.9 lbs.
Dimensions	H 48" X W 15" X D 20 1/2"
NSF Certification (NSF/ANSI standard)	NSF/ANSI 44, NSF/ANSI/CAN 372, CSA B483.1

### WARRANTY

**1 year** on all parts | **5 year** on electronics and valves | **10 year** on tanks

## 31,000 GRAIN WATER SOFTENER

MODEL: NSC31 | PN: NSC3123

### FEATURES

- Utilizes AutoSense™ Technology to monitor your water usage and determine the optimal frequency of regeneration, minimizing salt and water use
- High-flow valve for optimal water pressure
- Low salt monitor flashes when the softener is low on salt, allowing you a few days to refill the tank
- Built-in tank light for low light conditions
- Ideal for medium or large households
- Can be used with city or well water sources
- Installation kit includes custom fit bypass valve



### SPECIFICATIONS

Model Number	NSC31
Part Number	NSC3123
Household Size	1-5+ people
Max. Capacity (grains)	31,300
Resin (cu. ft)	0.81
Standard Connection Size	1" NPT
Valve	3/4" valve; up to 1" plumbing
Connection Size	1" male pipe thread
Rated Service Flow Rate (gpm)	7.2
Intermittent Flow Rate (gpm @ 30 psi drop)	14.6
Clear Water Iron Reduction (ppm)	8
Electronic Demand	Yes
Max. Efficiency (per minimum salt dose)	5,090 @ 2.4 lbs
Dimensions	H 48" X W 15" X D 20 1/2"
NSF Certification (NSF/ANSI standard)	NSF/ANSI 44, NSF/ANSI/CAN 372, CSA B483.1

### WARRANTY

**1 year** on all parts | **5 year** on electronics and valves | **10 year** on tanks



## 42,000 GRAIN WATER SOFTENER

MODEL: NSC42 | PN: NSC4223

### FEATURES

- Utilizes AutoSense™ Technology to monitor your water usage and determine the optimal frequency of regeneration, minimizing salt and water use
- Ultra high-flow valve for up to 1" plumbing delivers maximum water pressure
- Premium electronic board displays average daily gallons, flow rate, salt level and more
- Self-cleaning sediment filter with no filters to replace
- Low salt monitor flashes when the softener is low on salt, allowing you a few days to refill the tank
- Built-in tank light for low light conditions
- Ideal for all household sizes
- Can be used with city or well water sources
- Installation kit includes custom fit bypass valve



### SPECIFICATIONS

Model Number	NSC42
Part Number	NSC4223
Household Size	1-6+ people
Max. Capacity (grains)	42,100
Resin (cu. ft)	1.2
Standard Connection Size	1" NPT
Valve	1" valve; up to 1 1/4" plumbing
Connection Size	1" male pipe thread
Rated Service Flow Rate (gpm)	9.9
Intermittent Flow Rate (gpm @ 30 psi drop)	17.8
Clear Water Iron Reduction (ppm)	11
Electronic Demand	Yes
Max. Efficiency (per minimum salt dose)	4,940 @ 2.5 lbs
Dimensions	H 48" X W 15" X D 20 1/2"
NSF Certification (NSF/ANSI standard)	NSF/ANSI 44, NSF/ANSI/CAN 372, CSA B483.1

### WARRANTY

**1 year** on all parts | **5 year** on electronics and valves | **10 year** on tanks

## 2-IN-1 SOFTENER + WHOLE HOME FILTRATION

MODEL: NSCWC | PN: NSCWC23

### FEATURES

- High capacity 2-in-1 system softens & filters water throughout the entire home
- Reduces chlorine taste and odor using carbon filtration.
- Self-cleaning filter with no filters to replace
- Utilizes AutoSense™ Technology to monitor your water usage and determine the optimal frequency of regeneration, minimizing salt and water use
- High-flow valve for optimal water pressure
- Ideal for all household sizes
- Built-in tank light for low light conditions
- Can be used with city or well water sources



### SPECIFICATIONS

Model Number	NSCWC
Part Number	NSCWC23
Household Size	1-6+ people
Max. Capacity (grains)	35,600
Resin (cu. ft)	0.98
Activated Carbon	Yes
Standard Connection Size	1" NPT
Valve	3/4" valve; up to 1" plumbing
Connection Size	1" male pipe thread
Rated Service Flow Rate (gpm)	8.0
Intermittent Flow Rate (gpm @ 30 psi drop)	21.4
Clear Water Iron Reduction (ppm)	3
Electronic Demand	Yes
Max. Efficiency (per minimum salt dose)	4,780 @ 2.9 lbs
Dimensions	H 48" X W 15" X D 20 1/2"
NSF Certification (NSF/ANSI standard)	NSF/ANSI 42 (for chlorine taste & odor), NSF/ANSI 44 (for hardness, barium & radium 226/228), NSF/ANSI/CAN 372, CSA B483.1

### WARRANTY

**1 year** on all parts | **5 year** on electronics and valves | **10 year** on tanks

## 2-IN-1 SOFTENER + WHOLE HOME FILTRATION WITH WIFI

MODEL: NSCWHC | PN: NSCWHC3

### FEATURES

- High capacity 2-in-1 system softens & filters water throughout the entire home
- Utilizes WiFi technology and the iQua™ Water Management App to send critical water alerts directly to your phone
- The optional North Star Motorized Water Shut-Off Valve allows homeowners to turn off their water via the iQua™ App if a leak occurs
- Reduces chlorine taste and odor using carbon filtration
- Self-cleaning filter, with no filters to replace
- AutoSense™ Technology provides significant salt and water savings
- Ultra high-flow valve for optimal water pressure
- Ideal for all household sizes
- Can be used with city or well water sources



**SCAN**  
QR CODE FOR  
A VIDEO



### SPECIFICATIONS

Model Number	NSCWHC
Part Number	NSCWHC3
Household Size	1-6+ people
Max. Capacity (grains)	31,100
Resin (cu. ft)	0.98
Activated Carbon	Yes
Standard Connection Size	1" NPT
Valve	1" valve; up to 1 1/4" plumbing
Connection Size	1" male pipe thread
Rated Service Flow Rate (gpm)	8.0
Intermittent Flow Rate (gpm @ 30 psi drop)	17.8
Clear Water Iron Reduction (ppm)	3
Electronic Demand	Yes
Max. Efficiency (per minimum salt dose)	4230 @ 2.6
Dimensions	H 48" X W 15" X D 20 1/2"
NSF Certification (NSF/ANSI standard)	NSF/ANSI 42 (for chlorine taste & odor), NSF/ANSI 44 (for hardness, barium & radium 226/228), NSF/ANSI/CAN 372, CSA B483.1

### WARRANTY

**1 year** on all parts | **5 year** on electronics and valves | **10 year** on tanks



## 30,000 GRAIN WATER SOFTENER

MODEL: NST30ED | PN: 7366431

### FEATURES

- Utilizes AutoSense™ Technology to monitor your water usage and determine the optimal frequency of regeneration, minimizing salt and water use
- High-flow valve for optimal water pressure
- Utilizes reverse flow regeneration, proven to be the most effective way to clean the resin bed
- Ideal for small or medium households
- Can be used with city or well water sources
- Installation kit includes custom fit bypass valve



### SPECIFICATIONS

Model Number	NST30ED
Part Number	7366431
Household Size	1-5+ people
Max. Capacity (grains)	30,200
Resin (cu. ft)	0.78
Standard Connection Size	1" NPT
Valve	3/4" valve; up to 1" plumbing
Connection Size	1" male pipe thread
Rated Service Flow Rate (gpm)	7.3
Intermittent Flow Rate (gpm @ 30 psi drop)	11
Clear Water Iron Reduction (ppm)	8
Electronic Demand	Yes
Max. Efficiency (per minimum salt dose)	5,090 @ 2.3 lbs
Dimensions	Resin Tank and Electronics H 48 3/4" X W 11 1/2" Brine Tank H 39" X W 18"
NSF Certification (NSF/ANSI standard)	NSF/ANSI 44, NSF/ANSI/CAN 372, CSA B483.1

### WARRANTY

**1 year** on all parts | **5 year** on electronics and valves | **10 year** on tanks

## 45,000 GRAIN WATER SOFTENER

MODEL: NST45ED1 | PN: 7366449

### FEATURES

- Utilizes AutoSense™ Technology to monitor your water usage and determine the optimal frequency of regeneration, minimizing salt and water use
- Ultra high-flow for up to 1" plumbing delivers maximum water pressure
- Utilizes reverse flow regeneration, proven to be the most effective way to clean the resin bed
- Ideal for medium or large households
- Can be used with city or well water sources
- Installation kit includes custom fit bypass valve



### SPECIFICATIONS

Model Number	NST45ED1
Part Number	7366449
Household Size	1-6+ people
Max. Capacity (grains)	45,300
Resin (cu. ft)	1.26
Standard Connection Size	1" NPT
Valve	1" valve; up to 1 1/4" plumbing
Connection Size	1" male pipe thread
Rated Service Flow Rate (gpm)	10
Intermittent Flow Rate (gpm @ 30 psi drop)	18.6
Clear Water Iron Reduction (ppm)	12
Electronic Demand	Yes
Max. Efficiency (per minimum salt dose)	5,070 @ 2.6 lbs
Dimensions	Resin Tank and Electronics H 50" X W 14" Brine Tank H 39" X W 18"
NSF Certification (NSF/ANSI standard)	44, 372, & CSA B483.1

### WARRANTY

**1 year** on all parts | **5 year** on electronics and valves | **10 year** on tanks

## 70,000 GRAIN WATER SOFTENER

MODEL: NST70ED1 | PN: 7366457

### FEATURES

- Utilizes AutoSense™ Technology to monitor your water usage and determine the optimal frequency of regeneration, minimizing salt and water use
- Ultra high-flow for up to 1" plumbing delivers maximum water pressure
- Utilizes reverse flow regeneration, proven to be the most effective way to clean the resin bed
- Ideal for medium or large households
- Can be used with city or well water sources
- Installation kit includes custom fit bypass valve



### SPECIFICATIONS

Model Number	NST70ED1
Part Number	7366457
Household Size	1-6+ people
Max. Capacity (grains)	70,000
Resin (cu. ft)	1.94
Standard Connection Size	1" NPT
Valve	1" valve; up to 1 1/4" plumbing
Connection Size	1" male pipe thread
Rated Service Flow Rate (gpm)	13.5
Intermittent Flow Rate (gpm @ 30 psi drop)	21
Clear Water Iron Reduction (ppm)	19
Electronic Demand	Yes
Max. Efficiency (per minimum salt dose)	5,080 @ 4.1 lbs
Dimensions	Resin Tank and Electronics H 65 3/4" X W 14" Brine Tank H 39" X W 18"
NSF Certification (NSF/ANSI standard)	NSF/ANSI 44, NSF/ANSI/CAN 372, CSA B483.1

### WARRANTY

**1 year** on all parts | **5 year** on electronics and valves | **10 year** on tanks

# DRINKING WATER FILTRATION



# REVERSE OSMOSIS FILTRATION SYSTEM

MODEL: NSROPS | PN: NSROPS4

## FEATURES

- The premier choice for advanced, three-staged contaminant reduction
- Includes designer, lead-free chrome faucet
- Easy twist-and-pull filter replacement
- High-capacity storage tank
- Certified under NSF/ANSI std. 42, 53, 58, 401, P231 and 372
- Includes everything needed for installation
- Includes one-year limited warranty



AVAILABLE: Permeate Pump Kit (model # 7290208 and 7285203)

## CONTAMINANT REDUCTION



Model: NSROPF  
Pre/Post Filter Set  
PN: NSROPF4



Model: NSROM  
Membrane Filter  
PN: 7287514

SPECIFICATIONS	
Model Number	NSROPS
Part Number	NSROPS4
For Use with Filters	NSROPF & NSROM
Daily Production Rate (gal)	15
Storage Tank Capacity (gal)	2.4
Flow Rate (gpm)	Up to .5
Inlet - Outlet	3/8" Quick Connect
Filter Life	6 months
RO Membrane Life	1-3 years
NSF Certification (NSF/ANSI Standard)	42, 53, 58, 401, P231 and 372
Included Faucet	Chrome WHEFCHR
Additional Faucet Option	Brushed Nickel WHEFSAT
<b>1 year</b> parts warranty	•



## DUAL STAGE FILTRATION SYSTEM

MODEL: NSDW500 | PN: 7358187

### FEATURES

- Two stages of filtration reduce contaminants, taste and odors
- Easy to install
- Slim line design easily fits under the sink
- One-year limited warranty
- Includes installation fitting and tubing
- Easy twist-and-pull filter replacement
- 6-month filter life
- Faucet required - sold separately
- Delivers high quality water at your sink



### CONTAMINANT REDUCTION



CHLORINE



SEDIMENT



CYSTS



LEAD



CHEMICALS



Model: NSDW500R  
7358195

### SPECIFICATIONS

Model Number	NSDW500
Part Number	7358187
For Use with Filter	NSDW500R
Flow Rate (gpm)	Up to 0.5
Inlet - Outlet	3/8" Quick Connect
Filter Life	270 gal or 6 months
NSF Certification (NSF/ANSI Standard)	42, 53, 372
Faucet Options	Chrome WHEFCHR Brushed Nickel WHEFSAT
<b>1 year</b> parts warranty	•

# FULL FLOW WATER FILTRATION SYSTEM

MODEL: NSDW300 | PN: 7358276

## FEATURES

- Compact design easily installs under the kitchen or bathroom sink
- No additional faucet required
- Utilizes twist-and-pull sanitary filters for easy replacements, without shutting the water supply off
- Installation kit includes all components needed for a typical install
- Filter should be replaced every 6 months or 2000 gallons
- Connects cold water supply line to your existing faucet
- Includes a one-year limited warranty

**REPLACES  
30,296  
BOTTLES OF WATER  
EVERY YEAR\***



## CONTAMINANT REDUCTION



CHLORINE



SEDIMENT & MICROPLASTICS



Model: NSDW300R  
7358284

SPECIFICATIONS	
Model Number	NSDW300
Part Number	7358276
For Use with Filters	NSDW300R
Flow Rate (gpm)	2.0
Inlet - Outlet	3/8" Quick Connect
Filter Life	2000 gal or 6 months
NSF Certification (NSF/ANSI Standard)	NSF/ANSI 42 NSF/ANSI 401 NSF/ANSI/CAN 372
<b>1 year</b> parts warranty	•

## 5-YEAR REFRIGERATOR FILTER

MODEL: NSIF200 | PN: 7358315



### FEATURES

- Lasts five times longer than most refrigerator filters
- Fits most refrigerator brands, including Samsung, LG, Whirlpool, Kenmore, Frigidaire and GE
- Perfect for refrigerator water dispensers, ice makers, RVs, motor homes, etc.
- Installation kit includes 1/4" compression fitting and 1/4" simple push to connect fittings

### CONTAMINANT REDUCTION



CHLORINE



SEDIMENT

### SPECIFICATIONS

Model Number	NSIF200
Part Number	7358315
Flow Rate (gpm)	0.5
Inlet - Outlet	1/4" Quick Connect & 1/4" Compression
Filter Life	2500 gal or 5 years
NSF Certification (NSF/ANSI Standard)	42, 372



# WHOLE HOME FILTRATION

## 10" STANDARD OPAQUE HOUSING

MODEL: NS200 | PN: 7358438

### FEATURES

- Features an integrated mounting bracket and pressure release button for quick filter changes
- Uses most major brands of 10" standard capacity whole home filters
- Compatible with North Star filters: **NS217, NSF217, NS205, NS225 & NS250\*** (filter not included)
- **Includes:** mounting bracket, screws, installation guide

\*Available while supplies last.

### CONTAMINANT REDUCTION\*\*



CHLORINE



SEDIMENT

UNIVERSAL  
FIT



### SPECIFICATIONS

Part Number	7358438
Inlet - Outlet	3/4" FNPT
Operating Temperature	40-100°F / 5-38°C
Operating Pressure	40-100psi / 275-690kPa
Product Dimensions (H x W)	13.5" x 4.5"
Uses Filter Size (H x W)	10" x 2.5"
NSF Certification (NSF/ANSI Standard)	42 & 372
<b>1 year</b> parts warranty	•

\*\*Contaminant reduction dependent on filter selection

## 10" STANDARD CLEAR VALVE-IN-HEAD HOUSING

MODEL: NSV200T | PN: 7358420

### FEATURES

- Features integrated bypass valve and clear sump for easier filter changes
- Uses most major brands of 10" standard capacity whole home filters
- Compatible with North Star filters: **NS217, NSF217, NS205, NS225 & NS250\*** (filter not included)
- **Includes:** sump wrench, bracket, screws, installation guide

\*Available while supplies last.

### CONTAMINANT REDUCTION\*\*



CHLORINE



SEDIMENT

UNIVERSAL  
FIT



### SPECIFICATIONS

Part Number	7358420
Inlet - Outlet	3/4" FNPT
Operating Temperature	40-100°F / 5-38°C
Operating Pressure	40-100psi / 275-690kPa
Product Dimensions (H x W)	14" x 5.5"
Uses Filter Size (H x W)	10" x 2.5"
NSF Certification (NSF/ANSI Standard)	42 & 372
<b>1 year</b> parts warranty	•

\*\*Contaminant reduction dependent on filter selection



## 10" LARGE OPAQUE HOUSING

MODEL: NS900 | PN: 7358454

### FEATURES

- Designed for homes with up to 1" plumbing
- Features mounting bracket and integrated pressure release button for quick filter changes
- Uses most major brands of 10" large capacity whole home filters
- Compatible with North Star filters: **NS917, NSF917, NS905, NS925 & NS950\*** (filter not included)
- **Includes:** sump wrench, bracket, screws, installation guide

\*Available while supplies last.

### CONTAMINANT REDUCTION\*\*



CHLORINE



SEDIMENT



SPECIFICATIONS	
Part Number	7358454
Inlet - Outlet	1" FNPT
Operating Temperature	40-100°F / 5-38°C
Operating Pressure	40-100psi / 275-690kPa
Product Dimensions (H x W)	13.25" x 7.25"
Uses Filter Size (H x W)	10" x 4.5"
NSF Certification (NSF/ANSI Standard)	42 & 372
<b>1 year</b> parts warranty	•

\*\*Contaminant reduction dependent on filter selection

## 20" LARGE OPAQUE HOUSING

MODEL: NS9002 | PN: 7358462

### FEATURES

- Designed for homes with up to **1" plumbing**
- Features mounting bracket and integrated pressure release button for quick filter changes
- Uses most major brands of 20" standard capacity whole home filters
- Compatible with North Star filters: **NS9172 & NS9252** (filter not included)
- **Includes:** sump wrench, bracket, screws, installation guide

### CONTAMINANT REDUCTION\*



CHLORINE



SEDIMENT



SPECIFICATIONS	
Part Number	7358462
Inlet - Outlet	1" FNPT
Operating Temperature	40-100°F / 5-38°C
Operating Pressure	Max: 100psi / 690kPa
Product Dimensions (H x W)	23.5" x 7.25"
Uses Filter Size (H x W)	20" x 4.5"
NSF Certification (NSF/ANSI Standard)	42 & 372
<b>1 year</b> parts warranty	•

\* Contaminant reduction dependent on filter selection

## 10" STANDARD CAPACITY FILTERS



**UNIVERSAL FIT**

**NSF Certified**

- Under NSF/ANSI 42
- Under NSF/ANSI/CAN 372

**Universal Fit:** Fits most major brands of whole home housings

**Grooved:** Provides more surface area and greater capacity

**Carbon Block:** Improves taste and odor of drinking water

**Premium Carbon with FACT®**

- Low pressure drop allows for high flow rate
- High sediment filter - resistant to clogging

### SPECIFICATIONS

Model Number	NS225	NS205	NS217	NSF217
Part Number	7358331	7358323	7358226	7358234
Description	Grooved	Grooved	Carbon Block	Premium Carbon with FACT®
Dimensions	10" x 2.5"	10" x 2.5"	10" x 2.5"	10" x 2.5"
Micron Rating	25	5	5	0.7
Flow Rate (gpm)	9	9	4	5
Max Water Temperature	140°F/60°C	140°F/60°C	100°F/40°C	100°F/40°C
Filter Life	3 Months	3 Months	3 Months	6 Months
Compatible with Systems	NSV200T NS200	NSV200T NS200	NSV200T NS200	NSV200T NS200

### CONTAMINANT REDUCTION

Sediment - Sand, Dirt, Rust	•	•	•	•
Chlorine Taste & Odor			•	•

## 10" LARGE CAPACITY FILTERS



**UNIVERSAL FIT**

**NSF Certified**

- Under NSF/ANSI 42
- Under NSF/ANSI/CAN 372

**Universal Fit:** Fits most major brands of whole home housings

**Grooved:** Provides more surface area and greater capacity

**Carbon Block:** Improves taste and odor of drinking water

**Premium Carbon with FACT®**

- Low pressure drop allows for high flow rate
- High sediment filter - resistant to clogging

### SPECIFICATIONS

Model Number	NS925	NS905	NS917	NSF917
Part Number	7358373	7358365	7358200	7358242
Description	Grooved	Grooved	Carbon Block	Premium Carbon with FACT®
Dimensions	10" x 4.5"	10" x 4.5"	10" x 4.5"	10" x 4.5"
Micron Rating	25	5	25	0.7
Flow Rate (gpm)	20	20	4	22
Max Water Temperature	140°F/60°C	140°F/60°C	100°F/40°C	100°F/40°C
Filter Life	3 Months	3 Months	3 Months	6 Months
Compatible with Systems	NS900	NS900	NS900	NS900

### CONTAMINANT REDUCTION

Sediment - Sand, Dirt, Rust	•	•	•	•
Chlorine Taste & Odor			•	•

## 20" STANDARD & LARGE CAPACITY FILTERS



**NSF Certified**

- Under NSF/ANSI 42
- Under NSF/ANSI/CAN 372

**Universal Fit:** Fits most major brands of whole home housings

**Grooved:** Provides more surface area and greater capacity

**Carbon Block:** Improves taste and odor of drinking water

### SPECIFICATIONS

Model Number	NS9252	NS9172
Part Number	7358404	7358218
Description	Grooved	Carbon Block
Dimensions	20" x 4.5"	20" x 4.5"
Micron Rating	25	25
Flow Rate (gpm)	50	25
Max Water Temperature	140°F/60°C	100°F/40°C
Filter Life	3 Months	3 Months
Compatible with Systems	NS9002	NS9002

### CONTAMINANT REDUCTION

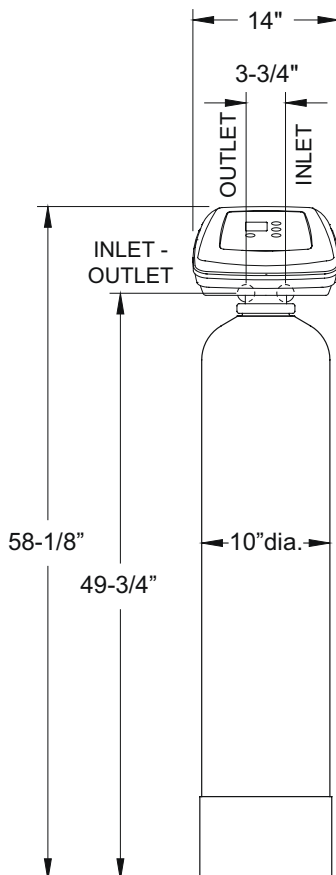
Sediment - Sand, Dirt, Rust	•	•
Chlorine Taste & Odor		•

## CHLORINE/CHLORAMINE FILTER

MODEL: NSCCTOSSA | PN: 7340794

### FEATURES

- Easy to use
- Free of chemicals
- High flow rate: 14 gpm
- Suitable for most homes
- Multiple parallel units can be used for maximum flows
- Self-flushing
- Skin protection from chlorine and chloramines
- Large 1" connections
- Coconut shell, high activity catalytic carbon



### SPECIFICATIONS

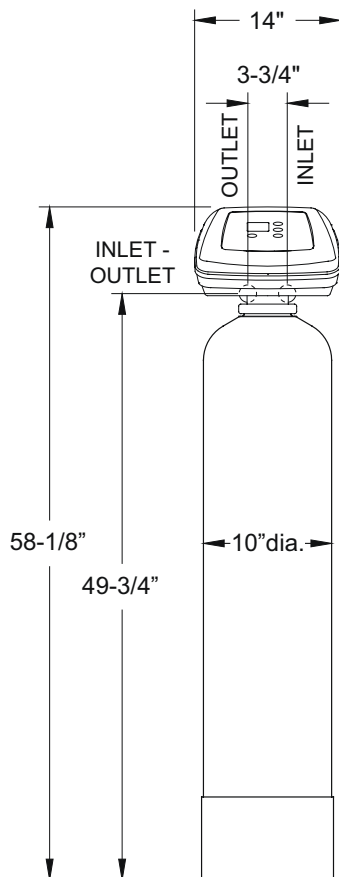
Part Number	7340794
Household Size	All
Nominal Mineral Tank Size	10" x 47"
Supply Water pH Limitation Level	Variable
Mineral Type	Catalytic Carbon
Amount of Mineral	.71 cu. ft.
Amount of Filter Sand	10 lbs
Amount of Gravel Base	16 lbs.
Inlet Water Pressure Limits	20-125 PSI
Max. Water Temperature	120°F
Min. Inlet Water Flow	270 gal./hour
Pipe Size	1"
Electrical Rating	24V 60Hz
Service Flow Rates	10 gpm @10 psi pressure drop
Backwash Flow Rate	5 gpm
Type of Backwash Process	Automatic

# ALL PURPOSE FILTER (EMPTY)

MODEL: NSAPFSSA | PN: 7263154

## FEATURES

- Automatic solid state, all purpose tank filter (media not included)
- 10" x 47" empty tank
- Select the mineral type and configuration that best treat the problem water
- Solid-state control provides precise control of all functions
- Capacitor maintains setting up to 6 hours
- Vacation setting
- Extra regeneration for high water use
- Large 1" Connection



SPECIFICATIONS	
Part Number	7263154
Household Size	All
Nominal Mineral Tank Size	10" X 47"
Supply Water pH Limitation Level	Variable
Mineral Type	Not Supplied
Amount of Mineral	1 cu. ft.
Amount of Filter Sand	10 lbs
Amount of Gravel Base	16 lbs
Inlet Water Pressure Limits	20-125 psi
Max. Water Temperature	120* F
Min. Inlet Water Flow	270 gal./hour
Pipe Size	1"
Electrical Rating	24V 60Hz
Service Flow Rates	NA
Backwash Flow Rate	5 gpm
Type of Backwash Process	Automatic

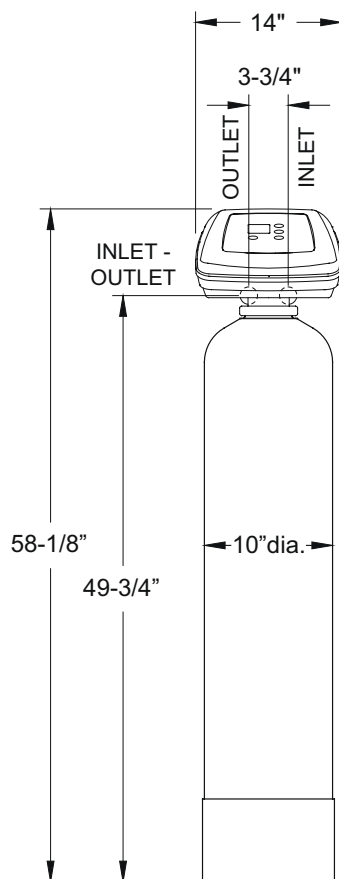


## OH2-IRON FILTER

MODEL: NSAIV10 | PN: 7336127

### FEATURES

- No bleach, no potassium permanganate, no chemicals
- Naturally aspirated air used to oxidize contaminants, zeolite media filters contaminants out and backwashes them to the drain
- No pumps, air is aspirated into system after the backwash cycle
- 1" plumbing connections
- Easy-to-use 24-volt controller — just plug transformer into wall outlet
- Full 1" diameter riser tube — for increased flow rate
- Multi-wrap™ fiberglass reinforced resin tank
- Multi-cycle valve with easy-clamp ring and patented coated disc
- Zeolite with washed quartz under bedding
- Includes bypass valve and installation kit



### SPECIFICATIONS

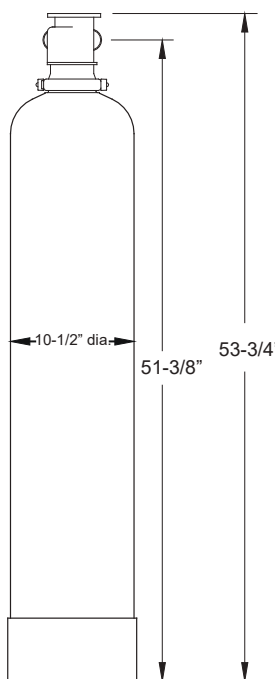
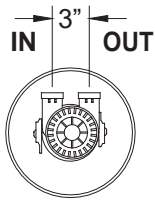
Part Number	7336127
Household Size	All
Nominal Mineral Tank Size	10" x 47"
Mineral Type	Zeolite
Amount of Mineral	1.0 cu. ft.
Amount of Gravel Base (Quartz)	17 lbs.
Contaminant Reduction Limitations	Up to 10 ppm Iron
Max. Water Pressure	80 PSI
Water Temperature Limits	40-120°F
Flow Rate	7-10 gpm
Backwash Flow Rate	7 gpm
Electrical Rating	24V 60Hz
Type of Backwash Process	Automatic
Service Flow Rates	NA
Backwash Flow Rate	5 gpm
Type of Backwash Process	Automatic

# IN/OUT ALL PURPOSE FILTER

MODEL: IOAPF10 | PN: 7356127

## FEATURES

- Upflow, all-purpose tank filter (media not included)
- 10" x 47" empty tank
- Select the mineral type and configuration that best treats the problem water
- Upflow design does not require water for backwashing
- Fill port on in/out adapter allows addition of media without removing the adapter
- Large 1" connection
- Multiple parallel units can be used for maximum flows
- Suitable for most homes



SPECIFICATIONS	
Part Number	7356127
Household Size	All
Nominal Mineral Tank Size	10" X 47"
Media Type	Custom Media Options
Amount of Media	3 lbs
Amount of Quartz Gravel	16 lbs
Max Neutralite Mix Media (not included)	100 lbs
Service Flow Rate	10 gpm
Max Water Pressure	125 psi
Max Water Temperature	120*F
Backwash Flow Rate	7 gpm
Type of Backwash Process	Automatic

## CENTRAL WATER FILTRATION SYSTEM

MODEL: NSWHCW | PN: 7358179

### FEATURES

- Provides filtered water throughout your entire home, without filters to replace
- Reduces chlorine and sediment from the water supply, perfect for municipal water
- System automatically flushes, cleans and drains its internal filter every 14 days
- High-flow valve maintains water pressure throughout the home, including your shower and appliances
- Connects with up to 1" plumbing
- Includes: installation kit with custom fit bypass valve, installation guide



### CONTAMINANT REDUCTION



CHLORINE



SEDIMENT



### SPECIFICATIONS

Part Number	7358179
Flow Rate	6 gpm
Water Pressure Limits	30 - 125 psi
Water Temperature Limits	40 - 100°F
Drain Flow Rate	3.4 gpm
Estimated Total Capacity	570,000 gallons
NSF Certification	NSF/ANSI 42 CSA B483.1

### WARRANTY

**1 year** parts | **5 year** electronic control board | **10 year** media tank

## SCALE DEFENDER ANTI-SCALE SYSTEM

MODEL: NSTAS35 | PN: NSTAS35

### FEATURES

- Advanced technology converts hardness minerals to a non-sticky form for longer lasting plumbing, appliances, and fixtures
- No salt, electricity or drain required
- No regeneration needed
- Includes bypass valve feature for easy servicing
- Ideal for homes with low levels of hardness
- Can be used with city or well water sources
- Installation kit included
- Eco-friendly
- Low maintenance



### SPECIFICATIONS

Amount of PTT Anti-Scale Media	4.3 LBS. (1.95 KG)
Amount of HDPE Pellets	3 LBS. (1.36 KG)
Service Flow Rate	10 gpm (37.9 l/min.)
Maximum Flow Rate	15 gpm (56.8 l/min.)
Supply Water Pressure Limits (min. / max.)	20 - 125 psi*
Water Temperature (min. / max.)	40 - 120 °F (5 - 49 °C)

### WARRANTY

**1 year** on all parts | **3 year** in/out head | **10 year** on the mineral tank

\*Canada working pressure limits: 1.4 - 7.0 kg/cm<sup>2</sup>.

## SALT-FREE ANTI-SCALE SYSTEM

MODEL: EPAWCS | PN: EPAWCS8

### FEATURES

- Anti-scale media reduces hard water buildup in pipes and fixtures
- Helps maintain the life and performance of water-using appliances
- Doesn't require water softener salt to operate
- Filters out sediment, dirt, rust and sand for cleaner, clearer water throughout your home
- Carbon filtration for better-tasting water
- Automatic bypass eliminates need to shutoff household water supply when changing filters

### CONTAMINANT REDUCTION



CHLORINE



SEDIMENT



SCALE



Model: EPAWCF  
EPAWCF8



### SPECIFICATIONS

Part Number	EPAWCS8
Flow Rate (gpm)	4.0
Filter Life	6 Months
Inlet - Outlet	1" MNPT
Operating Temperature	40-100°F / 5-38°C
Operating Pressure	30-100psi / 207-690kPa
Product Dimensions (H x W)	12.0" x 16.0"

### WARRANTY

**1 year** parts



# RESIDENTIAL ACCESSORIES



## MOTORIZED WATER SHUT-OFF VALVE

MODEL: 7388598 | PN: 7388598

### FEATURES

- Provides leak protection throughout the entire home
- Motorized ball valve plumbed into the water supply line
- Connects directly to the water softener electronic board via a plug connector
- Can be installed right at the softener or up to 10 feet away
- Remote control (on/off) of the incoming water supply via the iQua App
- Compatible with North Star Systems: [NSCWHC](#)



## REPLACEMENT O-RING KIT

MODEL: NSORK100 | PN: 7363425

### FEATURES

- Replacement O-Rings for 10" sumps
- Includes grease packet
- Compatible with North Star Systems: [NS200](#), [NSV200T](#) & [NS900](#)



## MOUNTING BRACKET

MODEL: EP2BR | PN: EP2BR00

### FEATURES

- Mounting bracket for 3/4" plumbed whole home housings
- Compatible with North Star Systems: [NS200](#) & [NSV200T](#)



## UNIVERSAL STRAP WRENCH

MODEL: EPUSW | PN: EPUSW00

### FEATURES

- Use with 10" and 20" standard- and large-capacity filter housings
- Compatible with all housing systems except EPAWCS



## SANITIZATION KIT FOR REVERSE OSMOSIS SYSTEMS

MODEL: 7301203 | PN: 7301203

Keep your reverse osmosis system running in top shape with this RO sanitation kit. Purchase of the kit includes two pre/post filter sumps, a membrane sump and all instructions necessary to sterilize your system using liquid chlorine bleach.



## WATER TEST KIT

MODEL: 3493099 | PN: 3493099

For testing water hardness, PH, and Iron



## POLISHED CHROME DESIGNER FAUCET

MODEL: WHEFCHR | PN: WHEFCHR

### FEATURES

- Designed with an air gap
- Sleek polished chrome finish
- Includes 3/8" tubing connection
- Compatible with North Star systems: NSROPS4, NSDW500



## BRUSHED NICKEL DESIGNER FAUCET

MODEL: WHEFSAT | PN: WHEFSAT

### FEATURES

- Designed with an air gap
- Satin finish
- Includes 3/8" tubing connection
- Compatible with North Star Systems: NSROPS4, NSDW500



## POLISHED CHROME DESIGNER FAUCET W/ELEC. BASE

MODEL: 7290135 | PN: 7290135

### FEATURES

- Faucet, Chrome Finish, with Electronic Monitor Base, for Reverse Osmosis System
- Compatible with North Star systems: NSRO42C4



## BRUSHED NICKEL DESIGNER FAUCET W/ELEC. BASE

MODEL: 7289728 | PN: 7289728

### FEATURES

- Faucet, Satin Finish, with Electronic Monitor Base, for Reverse Osmosis System
- Compatible with North Star systems: NSRO42C4











**SCAN FOR**  
PRODUCT RESOURCES,  
ARTICLES, AND MORE



**SCAN FOR**  
NORTH STAR  
TRAINING VIDEOS



## WANT TO **KNOW MORE?**

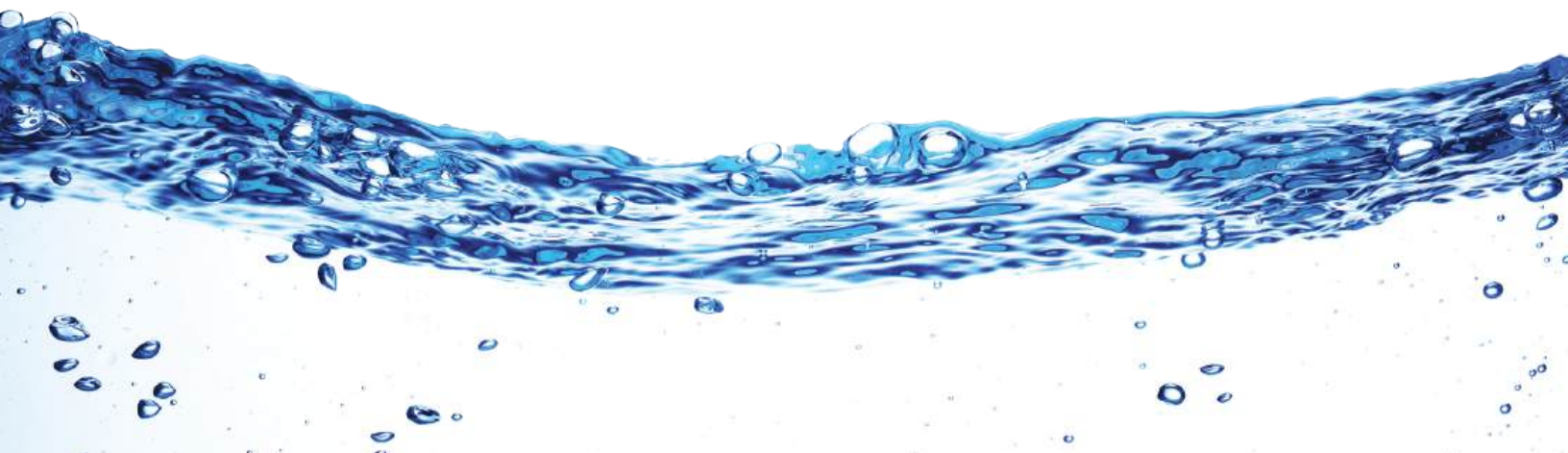
If you need more information about North Star Water Filtration Systems, contact us or get in touch with your local North Star representative.

## HOW TO **CONTACT US**

[info@northstarwater.com](mailto:info@northstarwater.com)

[www.northstarwater.com](http://www.northstarwater.com)

NORTH STAR ALSO OFFERS A COMPREHENSIVE LINE OF  
**COMMERCIAL SOFTENING PRODUCTS**



**NORTH STAR**  
WATER TREATMENT SYSTEMS

[info@northstarwater.com](mailto:info@northstarwater.com) / [www.northstarwater.com](http://www.northstarwater.com)  
1-800-972-0135