

### EPWHP

This anti-scale and sediment system attaches to your existing water heater to protect your hot water using appliances, allowing them to operate more efficiently. This system is designed for electric, gas and tankless water heaters.

### FEATURES AND BENEFITS

- Anti-scale media reduces hard water buildup in water heaters, pipes and fixtures
- Designed for electric, gas and tankless water heaters
- Helps maintain the life and performance of water-using appliances
- Water heaters operate 29% more efficiently and last 50% longer†
- Doesn't require water softener salt to operate
- Filters out sediment, dirt, rust and sand for cleaner, clearer water throughout your home
- Automatic bypass eliminates need to shutoff household water supply when changing filters
- Utilizes sanitary twist-and-pull filter cartridges, no tools required

†Based on a 2010 WQA study measuring the impact on water heater efficiency with and without hard water scale.



### REDUCES



SCALE BUILDUP



SEDIMENT



DIRT & RUST

### USES ENCASED FILTERS

Filters utilize polyphosphate media to treat scale and sediment. Sanitary encased design allows you to easily change filters without touching filter media.

- 6-month filter life



EPWHC  
EPWHC18

# Water Heater Protector **Anti-Scale & Sediment System**

EPWHP



Point-of-entry system tested and certified by NSF International under NSF/ANSI Standard 372 for low lead content and NSF/ANSI Standard 61 for materials safety requirements only. Not certified for contaminant reductions or structural integrity by NSF International.

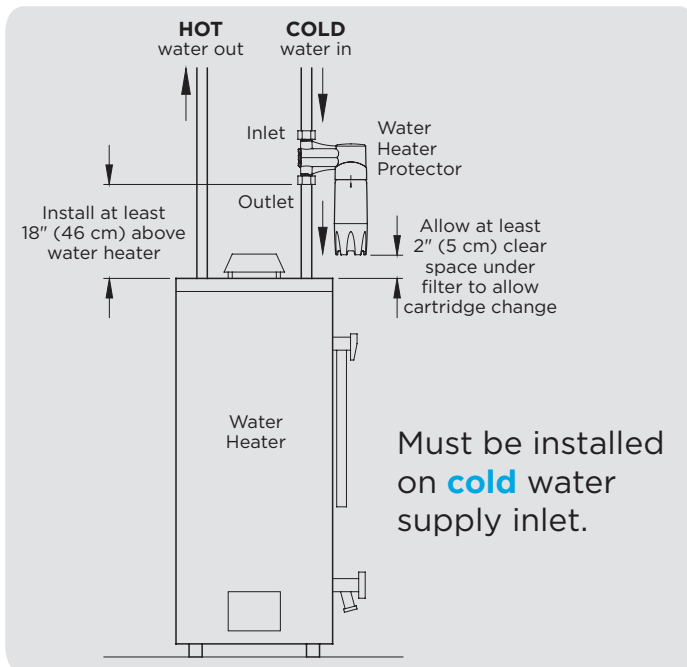
## SPECIFICATIONS

Model Number	EPWHP
Household Size	All
Uses Filter Model	EPWHC
Rated Service Flow Rate	8.0 gpm
Pressure Drop Service Flow Rate	12 psi
Water Pressure Limit (Min/Max)	20 - 100 psi
Supply Water Temperature	40 - 100°F
Standard Connection Size	3/4" Male NPT
Dimensions (H x W x D)	12" x 6-1/2" x 3"

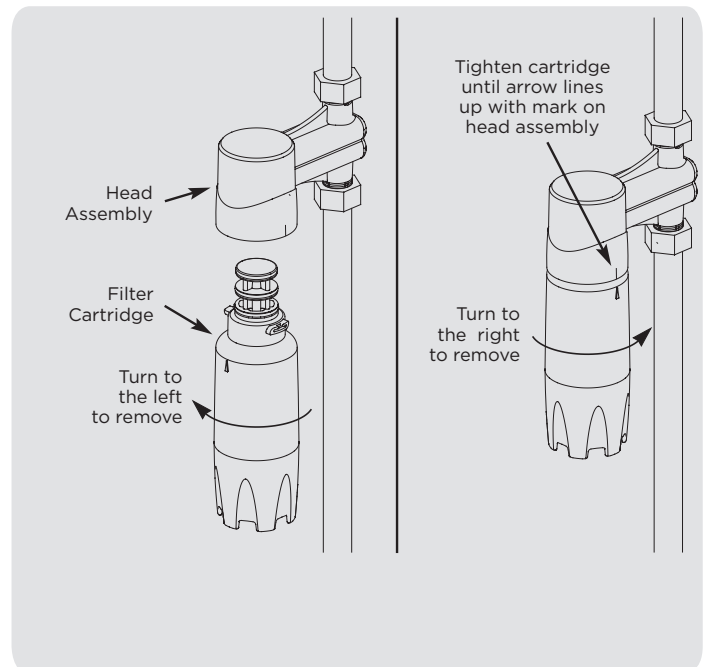
## WARRANTY

1 year parts

## TYPICAL INSTALLATION



## EASY FILTER CHANGES



FOR MORE INFORMATION CALL

**1-800-693-1138**

OR VISIT

**[www.ecopure.com](http://www.ecopure.com)**