

North Star Water Treatment Systems PROFESSIONAL ADVANTAGE COMMERCIAL SERIES WATER SOFTENERS – 1-1/2" VALVE

NOTE: All models shipped unassembled. Shipping weights are approximate.

WATER METER^①
7361457

VALVE PARTS KIT^①
7367322

VALVE^①
7367306

CLAMP KIT^①
7367631

CONTROLLER
7362982

ASPIRATOR^①
7367102

BRINE LINE KIT
7190301

DISTRIBUTOR
ASM.
7359206

1000#
ROUND
BRINE
TANK
24" x 50"
7202027

PA1015S - 440#
PA1315S - 500#

LITERATURE KIT
7364188

- GRAVEL (2)*
7124423 (1) 50 lbs.
- 7127073 (1) 50 lbs.
- RESIN*
0502272 1015 - (3) 1 cu. ft.
1315 - (4) 1 cu. ft.

*Duplex models use 2 x amounts
*Triplex models use 3 x amounts
*Quadplex models use 4 x amounts

WATER METER^{① (2)}
7361457

VALVE PARTS KIT^{① (2)}
7367322

VALVE^{① (2)}
7367306

CLAMP KIT^{① (2)}
7367631

CONTROLLER
7362982

ASPIRATOR^{① (2)}
7367102

BRINE LINE KIT
7239935

DISTRIBUTOR
ASM. (2)
7359206

1000#
ROUND
BRINE
TANK
24" x 50"
7202027

PA1015D - 850#
PA1315D - 960#

ASPIRATOR^{① (3)}
7367102

WATER METER^{① (3)}
7361457

VALVE PARTS KIT^{① (3)}
7367322

CLAMP KIT^{① (3)}
7367631

CONTROLLER
7362982

BRINE LINE KITS
7190301 7239935

DISTRIBUTOR
ASM. (3)
7359206

1000#
ROUND
BRINE
TANK (2)
24" x 50"
7202027

PA1015T - 1290#
PA1315T - 1450#

ASPIRATOR^{① (4)}
7367102

WATER METER^{① (4)}
7361457

VALVE PARTS KIT^{① (4)}
7367322

CLAMP KIT^{① (4)}
7367631

CONTROLLER
7362982

BRINE LINE KITS (2)
7239935

DISTRIBUTOR
ASM. (4)
7359206

1000#
ROUND
BRINE
TANK (2)
24" x 50"
7202027

PA1015Q - 1780#
PA1315Q - 1870#

① Shipped together as Valve Kit 7367089

1-1/2" Valve Kits (as shipped)

Valve Kit	Used on	Valve	Aspirator	Filter Kit	Water Meter	Parts Kit	Clamp Kit
7367089	Softeners w/17" dia. resin tank	7367306	7367102	–	7361457	7367322	7367631
7367550	Softeners w/24" dia. resin tank	7367306	7367110	–	7361457	7367322	7367631
7367568	Softeners w/30" dia. resin tank	7367306	7367128	–	7361457	7367322	7367631
7367576	Filters	7367306	–	7367136	7361457	7367322	7367631

Media

	Part Number	Weight (lbs.)
Resin	0502272	53
Gravel, Quartz	7124415	17
	7124423	50
Gravel, Medium	7127073	50
Anthracite	0993070	52
Garnet	0993090	50
Sand, Filter	0993080	50
Carbon, Activated	3424509	42
Greensand Plus™	7331101	44

Accessories &

1-1/2" Valve Repair Parts Kits

	Part Number
Piston Plug, Multi-Tank	7367445
Drive Assembly, 1-1/2" Valve	7367437
Aspirator Kit, 1-1/2" Valve	7367429
Kit, Neck O-Ring	7367411
Kit, Installation Clips & O-Rings	7367372
Rebuild Kit, Internal Rubber Parts	7367398
Rebuild Kit, Internal, Lantern Ring & Rubber Parts	7367380

Greensand Plus™ is a trademark of Inversand Company.

0690350 (Rev. C 3/27/18)

North Star Water Treatment Systems **PROFESSIONAL ADVANTAGE** COMMERCIAL SERIES WATER SOFTENERS – 1-1/2" VALVE

NOTE: All models shipped unassembled. Shipping weights are approximate.

PA1615S - 600#

WATER METER^① 7361457

VALVE PARTS KIT^① 7367322

VALVE^① 7367306

CLAMP KIT^① 7367631

CONTROLLER 7362982

ASPIRATOR^① 7367102

BRINE LINE KIT 7190301

DISTRIBUTOR ASM. 7359206

1000# ROUND BRINE TANK 24" x 50" 7202027

RESIN TANK 17" x 72" 7153561

LITERATURE KIT 7364188

GRAVEL (2)*
7124423 (1)
50 lbs.

7127073 (1)
50 lbs.

RESIN (5)*
0502272

1 cu. ft.

1 cu. ft.

1 cu. ft.

1 cu. ft.

*Duplex models use 2x amounts
*Triplex models use 3x amounts
*Quadplex models use 4x amounts

PA1615D - 1090#

WATER METER^{① (2)} 7361457

VALVE PARTS KIT^{① (2)} 7367322

VALVE^{① (2)} 7367306

CLAMP KIT^{① (2)} 7367631

CONTROLLER 7362982

ASPIRATOR^{① (2)} 7367102

BRINE LINE KIT 7239935

DISTRIBUTOR ASM. (2) 7359206

1000# ROUND BRINE TANK 24" x 50" 7202027

RESIN TANK (2) 17" x 72" 7153561

PA1615T - 1640#

ASPIRATOR^{① (3)} 7367102

WATER METER^{① (3)} 7361457

VALVE PARTS KIT^{① (3)} 7367322

CLAMP KIT^{① (3)} 7367631

CONTROLLER 7362982

BRINE LINE KITS 7190301 7239935

DISTRIBUTOR ASM. (3) 7359206

1000# ROUND BRINE TANK (2) 24" x 50" 7202027

RESIN TANK (3) 17" x 72" 7153561

PA1615Q - 2130#

ASPIRATOR^{① (4)} 7367102

WATER METER^{① (4)} 7361457

VALVE PARTS KIT^{① (4)} 7367322

CLAMP KIT^{① (4)} 7367631

BRINE LINE KITS (2) 7239935

CONTROLLER 7362982

DISTRIBUTOR ASM. (4) 7359206


1000# ROUND BRINE TANK (2) 24" x 50" 7202027


RESIN TANK (4) 17" x 72" 7153561

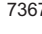
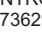

① Shipped together as Valve Kit 7367089



North Star Water Treatment Systems **PROFESSIONAL ADVANTAGE** COMMERCIAL SERIES WATER SOFTENERS – 1-1/2" VALVE

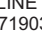

NOTE: All models shipped unassembled. Shipping weights are approximate.


WATER METER[®] 7361457  **PA1915S** - 820#
PA2515S - 920#
PA3215S - 1030#

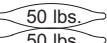
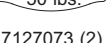
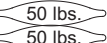
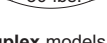
VALVE PARTS KIT[®] 7367322  **CLAMP KIT[®]** 7367631

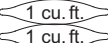
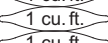
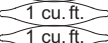

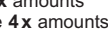
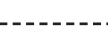
VALVE[®] 7367306  **CONTROLLER** 7362982  **DISTRIBUTOR ASM.** 7359206 

ASPIRATOR[®] 7367110  **RESIN TANK** 24" x 72" 7298777 


BRINE LINE KIT 7190301  **1500# ROUND BRINE TANK** 31" x 51" 7202035 


LITERATURE KIT 7364188 


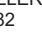

GRAVEL (4)*
 7124423 (2)  50 lbs.  50 lbs.
 7127073 (2)  50 lbs.  50 lbs.



RESIN* 0502272
 1915 - (6)  1 cu. ft.  1 cu. ft.
 2515 - (8)  1 cu. ft.  1 cu. ft.
 3215 - (10)  1 cu. ft.  1 cu. ft.



*Duplex models use 2x amounts
 *Triplex models use 3x amounts
 *Quadplex models use 4x amounts


WATER METER[®] (2) 7361457  **PA1915D** - 1490#
PA2515D - 1710#
PA3215D - 1920#


VALVE PARTS KIT[®] (2) 7367322  **CLAMP KIT[®]** (2) 7367631


VALVE[®] (2) 7367306  **CONTROLLER** 7362982  **DISTRIBUTOR ASM. (2)** 7359206 





ASPIRATOR[®] (2) 7367110  **RESIN TANK (2)** 24" x 72" 7298777 


BRINE LINE KIT 7239935  **1500# ROUND BRINE TANK** 31" x 51" 7202035 


ASPIRATOR[®] (3) 7367110  **PA1915T** - 2260#
PA2515T - 2590#
PA3215T - 2910#


WATER METER[®] (3) 7361457 


VALVE PARTS KIT[®] (3) 7367322  **CLAMP KIT[®]** (3) 7367631


VALVE[®] (3) 7367306  **CONTROLLER** 7362982  **BRINE LINE KITS** 7190301  7239935 

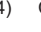
DISTRIBUTOR ASM. (3) 7359206 


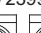

RESIN TANK (3) 24" x 72" 7298777 


1500# ROUND BRINE TANK (2) 31" x 51" 7202035 


ASPIRATOR[®] (4) 7367110  **PA1915Q** - 2940#
PA2515Q - 3410#
PA3215Q - 3840#


WATER METER[®] (4) 7361457 

VALVE PARTS KIT[®] (4) 7367322  **CLAMP KIT[®]** (4) 7367631

VALVE[®] (4) 7367306  **CONTROLLER** 7362982  **BRINE LINE KITS (2)** 7239935 

DISTRIBUTOR ASM. (4) 7359206 

RESIN TANK (4) 24" x 72" 7298777 

1500# ROUND BRINE TANK (2) 31" x 51" 7202035 

[®] Shipped together as Valve Kit 7367550

North Star Water Treatment Systems **PROFESSIONAL ADVANTAGE** COMMERCIAL SERIES WATER SOFTENERS – 1-1/2" VALVE

NOTE: All models shipped unassembled. Shipping weights are approximate.

WATER METER^③ 7361457
 VALVE PARTS KIT^③ 7367322
 VALVE^③ 7367306
 CLAMP KIT^③ 7367631
 CONTROLLER 7362982
 ASPIRATOR^③ 7367128
 BRINE LINE KIT 7190301

PA3615S - 1310#
PA4515S - 1470#

ADAPTOR 7345516
 DISTRIBUTOR ASM. 7359206

2500# ROUND BRINE TANK 41" x 51" 940027

LITERATURE KIT 7364188

GRAVEL (6)*
 7124423 (3)
 1 cu. ft.
 1 cu. ft.
 1 cu. ft.
 7127073 (3)
 1 cu. ft.
 1 cu. ft.
 1 cu. ft.

RESIN* 0502272
 3615 - (12)
 4515 - (15)
 1 cu. ft.
 1 cu. ft.
 1 cu. ft.
 1 cu. ft.
 1 cu. ft.
 1 cu. ft.
 1 cu. ft.
 1 cu. ft.
 1 cu. ft.

*Duplex models use 2x amounts
 *Triplex models use 3x amounts
 *Quadplex models use 4x amounts

WATER METER^③ (2) 7361457
 VALVE PARTS KIT^③ (2) 7367322
 VALVE^③ (2) 7367306
 CLAMP KIT^③ (2) 7367631
 CONTROLLER 7362982
 ASPIRATOR^③ (2) 7367128
 BRINE LINE KIT 7239935

PA3615D - 2480#
PA4515D - 2840#

ADAPTOR (2) 7345516
 DISTRIBUTOR ASM. (2) 7359206

2500# ROUND BRINE TANK 41" x 51" 940027

ASPIRATOR^③ (3) 7367128
 WATER METER^③ (3) 7361457
 VALVE PARTS KIT^③ (3) 7367322
 CLAMP KIT^③ (3) 7367631
 ADAPTOR (3) 7345516
 CONTROLLER 7362982
 BRINE LINE KITS 7190301 7239935
 DISTRIBUTOR ASM. (3) 7359206

PA3615T - 3740#
PA4515T - 4270#

2500# ROUND BRINE TANK (2) 41" x 51" 940027

ASPIRATOR^③ (4) 7367128
 WATER METER^③ (4) 7361457
 VALVE PARTS KIT^③ (4) 7367322
 CLAMP KIT^③ (4) 7367631
 ADAPTOR (4) 7345516
 CONTROLLER 7362982
 BRINE LINE KITS (2) 7239935
 DISTRIBUTOR ASM. (4) 7359206

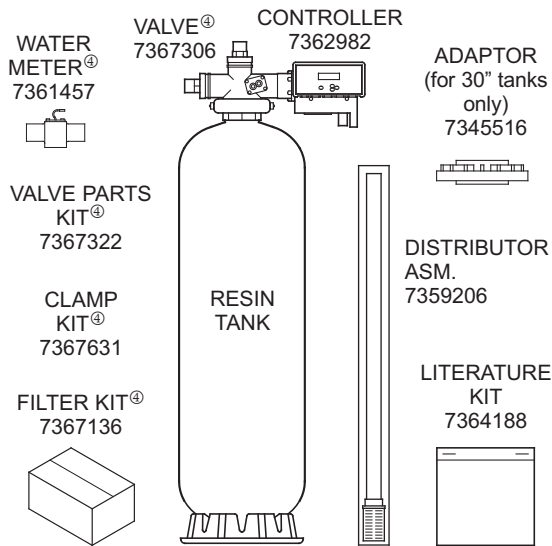
PA3615Q - 4950#
PA4515Q - 5640#

2500# ROUND BRINE TANK (2) 41" x 51" 940027

^③ Shipped together as Valve Kit 7367568

North Star Water Treatment Systems PROFESSIONAL ADVANTAGE COMMERCIAL SERIES WATER SOFTENERS – 1-1/2" VALVE

NOTE: All models shipped unassembled. Shipping weights are approximate.



MODEL	SHIPPING WEIGHT	RESIN TANK	MINERAL BED
PA1715XS	252#	17" x 58" P/N 7149994	see table below
PA2415XS	358#	24" x 72" P/N 7298777	
PA1715CS	420#	17" x 58" P/N 7149994	
PA2415CS	770#	24" x 72" P/N 7298777	
PA3015CS	1185#	30" x 72" P/N 0403007	
PA1715MS	560#	17" x 58" P/N 7149994	
PA2415MS	1060#	24" x 72" P/N 7298777	
PA1715GS	660#	17" x 58" P/N 7149994	
PA2415GS	1160#	24" x 72" P/N 7298777	



④ Shipped together as Valve Kit 7367576

MODEL	GRAVEL 7124423		FILTER SAND 0993080		ACTIVATED CARBON 3424509	GREENSAND PLUS™ 7331101	ANTHRACITE 0993070		GARNET 0993090	
	lbs.	bags	lbs.	bags	1 cu. ft. bags	1/2 cu. ft. bags	lbs.	bags	lbs.	bags
PA1715XS	100	2	-	-	-	-	-	-	-	-
PA2415XS	150	3	-	-	-	-	-	-	-	-
PA1715CS	100	2	-	-	4	-	-	-	-	-
PA2415CS	150	3	-	-	10	-	-	-	-	-
PA3015CS	250	5	-	-	15	-	-	-	-	-
PA1715MS	100	2	100	2	-	-	156	3	50	1
PA2415MS	150	3	250	5	-	-	312	6	150	3
PA1715GS	100	2	-	-	-	6	78*	2*	50	1
PA2415GS	150	3	-	-	-	12	156	3	150	3

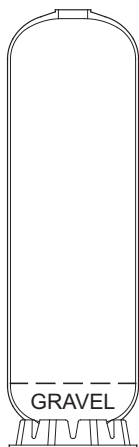
Greensand Plus™ is a trademark of Inversand Company.

*1-1/2 of the 2 bags included are used.

BEDDING SEQUENCE OF GRAVEL & MINERALS

NOTE: Be sure distributor assembly is centered in tank before filling.

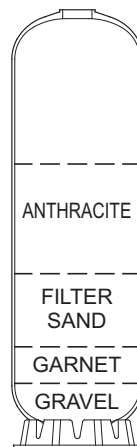
NO MEDIA
(GRAVEL ONLY) FILTERS



CARBON FILTERS



MULTI-MEDIA FILTERS

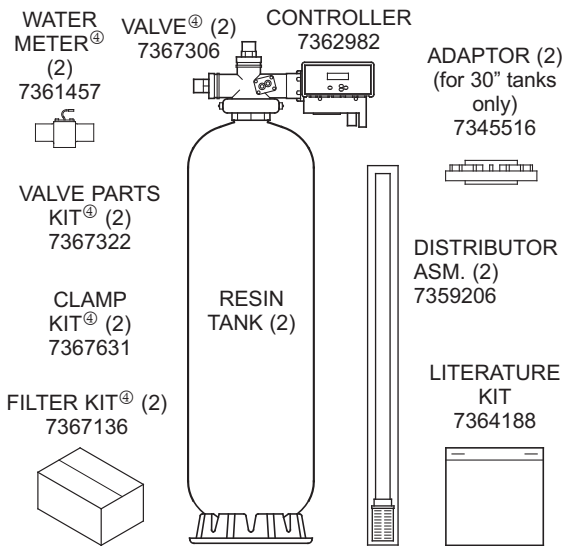


GREENSAND PLUS™
FILTERS



North Star Water Treatment Systems PROFESSIONAL ADVANTAGE COMMERCIAL SERIES WATER FILTERS – 1-1/2" VALVE

NOTE: All models shipped unassembled. Shipping weights are approximate.



MODEL	SHIPPING WEIGHT	RESIN TANK	MINERAL BED
PA1715XD	494#	17" x 58" P/N 7149994	see table below
PA2415XD	680#	24" x 72" P/N 7298777	
PA1715CD	830#	17" x 58" P/N 7149994	
PA2415CD	1570#	24" x 72" P/N 7298777	
PA3015CD	2320#	30" x 72" P/N 0403007	
PA1715MD	1110#	17" x 58" P/N 7149994	
PA2415MD	2110#	24" x 72" P/N 7298777	
PA1715GD	1260#	17" x 58" P/N 7149994	
PA2415GD	2320#	24" x 72" P/N 7298777	



④ Shipped together as Valve Kit 7367576

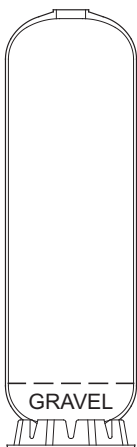
	MODEL	GRAVEL 7124423		FILTER SAND 0993080		ACTIVATED CARBON 3424509	GREENSAND PLUS™ 7331101	ANTHRACITE 0993070		GARNET 0993090	
		lbs.	bags	lbs.	bags	1 cu. ft. bags	1/2 cu. ft. bags	lbs.	bags	lbs.	bags
Mineral Bed	PA1715XD	200	4	–	–	–	–	–	–	–	–
	PA2415XD	300	6	–	–	–	–	–	–	–	–
	PA1715CD	200	4	–	–	8	–	–	–	–	–
	PA2415CD	300	6	–	–	20	–	–	–	–	–
	PA3015CD	500	10	–	–	30	–	–	–	–	–
	PA1715MD	200	4	200	4	–	–	312	6	100	2
	PA2415MD	300	6	500	10	–	–	624	12	300	6
	PA1715GD	200	4	–	–	–	12	156	3	100	2
PA2415GD	300	6	–	–	–	24	312	6	300	6	

Greensand Plus™ is a trademark of Inversand Company.

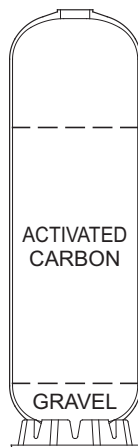
BEDDING SEQUENCE OF GRAVEL & MINERALS

NOTE: Be sure distributor assembly is centered in tank before filling.

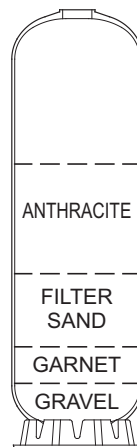
NO MEDIA
(GRAVEL ONLY) FILTERS



CARBON FILTERS



MULTI-MEDIA FILTERS

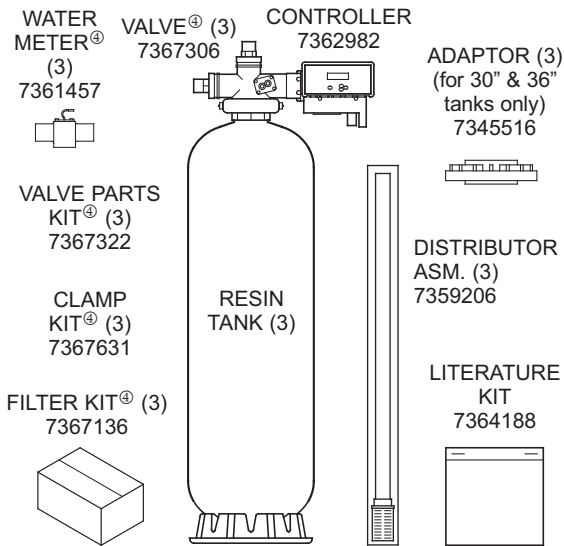


GREENSAND PLUS™
FILTERS



North Star Water Treatment Systems PROFESSIONAL ADVANTAGE COMMERCIAL SERIES WATER FILTERS – 1-1/2" VALVE

NOTE: All models shipped unassembled. Shipping weights are approximate.



MODEL	SHIPPING WEIGHT	RESIN TANK	MINERAL BED
PA1715XT	746#	17" x 58" P/N 7149994	see table below
PA2415XT	1060#	24" x 72" P/N 7298777	
PA1715CT	1250#	17" x 58" P/N 7149994	
PA2415CT	2320#	24" x 72" P/N 7298777	
PA3015CT	3500#	30" x 72" P/N 0403007	
PA1715MT	1660#	17" x 58" P/N 7149994	
PA2415MT	3200#	24" x 72" P/N 7298777	
PA1715GT	1920#	17" x 58" P/N 7149994	
PA2415GT	3480#	24" x 72" P/N 7298777	



④ Shipped together as Valve Kit 7367576

MODEL	GRAVEL 7124423		FILTER SAND 0993080		ACTIVATED CARBON 3424509	GREENSAND PLUS™ 7331101	ANTHRACITE 0993070		GARNET 0993090	
	lbs.	bags	lbs.	bags	1 cu. ft. bags	1/2 cu. ft. bags	lbs.	bags	lbs.	bags
PA1715XT	300	6	-	-	-	-	-	-	-	-
PA2415XT	450	9	-	-	-	-	-	-	-	-
PA1715CT	300	6	-	-	12	-	-	-	-	-
PA2415CT	450	9	-	-	30	-	-	-	-	-
PA3015CT	750	15	-	-	45	-	-	-	-	-
PA1715MT	300	6	300	6	-	-	468	9	150	3
PA2415MT	450	9	750	15	-	-	936	18	450	9
PA1715GT	300	6	-	-	-	18	234*	5*	150	3
PA2415GT	450	9	-	-	-	36	468	9	450	9

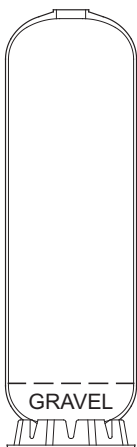
Greensand Plus™ is a trademark of Inversand Company.

*4-1/2 of the 5 bags included are used.

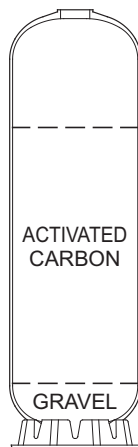
BEDDING SEQUENCE OF GRAVEL & MINERALS

NOTE: Be sure distributor assembly is centered in tank before filling.

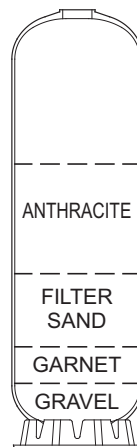
NO MEDIA (GRAVEL ONLY) FILTERS



CARBON FILTERS



MULTI-MEDIA FILTERS

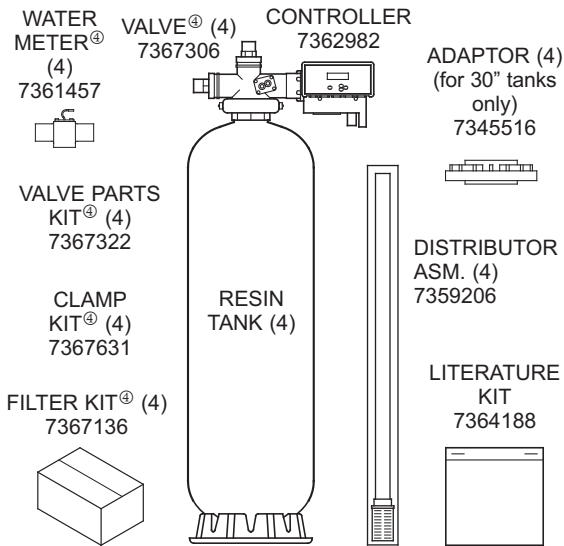


GREENSAND PLUS™ FILTERS



North Star Water Treatment Systems PROFESSIONAL ADVANTAGE COMMERCIAL SERIES WATER FILTERS – 1-1/2" VALVE

NOTE: All models shipped unassembled. Shipping weights are approximate.



MODEL	SHIPPING WEIGHT	RESIN TANK	MINERAL BED
PA1715XQ	988#	17" x 58" P/N 7149994	see table below
PA2415XQ	1370#	24" x 72" P/N 7298777	
PA1715CQ	2080#	17" x 58" P/N 7149994	
PA2415CQ	3050#	24" x 72" P/N 7298777	
PA3015CQ	4740#	30" x 72" P/N 0403007	
PA1715MQ	2210#	17" x 58" P/N 7149994	
PA2415MQ	4250#	24" x 72" P/N 7298777	
PA1715GQ	2520#	17" x 58" P/N 7149994	
PA2415GQ	4670#	24" x 72" P/N 7298777	



④ Shipped together as Valve Kit 7367576

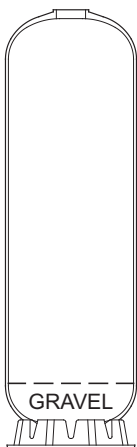
MODEL	GRAVEL 7124423		FILTER SAND 0993080		ACTIVATED CARBON 3424509	GREENSAND PLUS™ 7331101	ANTHRACITE 0993070		GARNET 0993090	
	lbs.	bags	lbs.	bags	1 cu. ft. bags	1/2 cu. ft. bags	lbs.	bags	lbs.	bags
PA1715XQ	400	8	-	-	-	-	-	-	-	-
PA2415XQ	600	12	-	-	-	-	-	-	-	-
PA1715CQ	400	8	-	-	16	-	-	-	-	-
PA2415CQ	600	12	-	-	40	-	-	-	-	-
PA3015CQ	1000	20	-	-	60	-	-	-	-	-
PA1715MQ	400	8	400	8	-	-	624	12	200	4
PA2415MQ	600	12	1000	20	-	-	1248	24	600	12
PA1715GQ	400	8	-	-	-	24	312	6	200	4
PA2415GQ	600	12	-	-	-	48	624	12	600	12

Greensand Plus™ is a trademark of Inversand Company.

BEDDING SEQUENCE OF GRAVEL & MINERALS

NOTE: Be sure distributor assembly is centered in tank before filling.

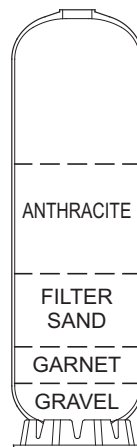
NO MEDIA (GRAVEL ONLY) FILTERS



CARBON FILTERS



MULTI-MEDIA FILTERS



GREENSAND PLUS™ FILTERS

