
AUTOMATIC WATER FILTRATION

with High-Flow 1" Valve

Chloramine, Chlorine Taste, Odor & Sediment Filter

Model NSCCTOSSA

Water Neutralizer Model NSANSSA

All Purpose Filter

Models NSAPFSSA & NSAPFXLA

Installation

Operation

Maintenance

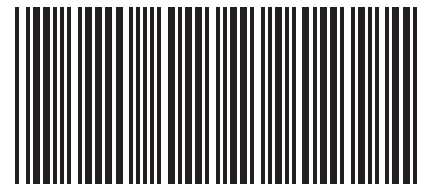
Repair Parts

Point-of-entry systems NSAPFSSA and NSAPFXLA tested and certified without media by the Water Quality Association under NSF/ANSI Standard 61 for material safety requirements only, and NSF/ANSI Standard 372 for low lead content. Not certified for contaminant reductions by the Water Quality Association.



Designed, Engineered &
Assembled in the U.S.A.

Manufactured and warranted by
Ecodyne Water Systems
1890 Woodlane Drive
Woodbury, MN 55125



7341148 (Rev. H 11/15/18)

TABLE OF CONTENTS

	<u>Page</u>
Specifications & Dimensions	3
General Filter Information	4
Before Starting Installation	5
Media Loading - APF Models Only	6
Typical Installation Illustrations	7
Installation Instructions	8-10
Programming the Electronic Controller	11-12
Customizing Features / Options	12-14
General Filter Maintenance	15-16
Troubleshooting	17-20
Schematic	18
Exploded View & Parts List	21-23
Warranty	24

Inspect Shipment

The filter is shipped in one carton. The filter is completely assembled at the factory, except as required at installation. All purpose filters do not include the mineral bed, gravel and sand.

Thoroughly check the filter system for possible shipping damage and parts loss. Also inspect and note any damage to the shipping carton.

Remove and discard (or recycle) all packing materials. To avoid loss of small parts, we suggest you keep the small parts in the parts bag until you are ready to use them.

Safety Guides

Follow the installation instructions carefully. Failure to install the filter properly voids the warranty.

Before you begin installation, read this entire manual. Then obtain all the materials and tools you will need to make the installation.

Check local plumbing and electrical codes. The installation must conform to them.

Use only lead-free solder and flux for all sweat-solder connections as required by state and federal codes.

Use care when handling the filter. Do not turn upside down, drop, or set on sharp protrusions.

Do not locate the filter where freezing temperatures occur. **Do not attempt to filter water over 120°F.** Freezing, or hot water damage voids the warranty.

Avoid installing in direct sunlight. Excessive sun heat may cause distortion or other damage to non-metallic parts.

The filter requires a minimum water flow of 5 gallons per minute at the inlet for backwash.

Recommended **maximum allowable inlet water pressure is 80 psi.** Use a pressure reducing valve if necessary. Be sure the addition of a pressure reducing valve will not reduce the flow to less than the 5 gallons per minute needed for backwash.

The filter works on **24V DC** electrical power, supplied by a direct plug-in power supply (included). Be sure to use the included power supply, and plug it into a nominal **120V, 60 Hz** household outlet that is in a **dry location only**, grounded and properly protected by an overcurrent device such as circuit breaker or fuse.

This system is not intended to be used for treating water that is microbiologically unsafe or of unknown quality without adequate disinfection before or after the system.



European Directive 2002/96/EC requires all electrical and electronic equipment to be disposed of according to Waste Electrical and Electronic Equipment (WEEE) requirements. This directive or similar laws are in place nationally and can vary from region to region. Please refer to your state and local laws for proper disposal of this equipment.

Specifications & Dimensions

	Chloramine, Chlorine Taste, Odor & Sediment Filter NSCCTOSSA	Neutralizer NSANSSA	10" APF® NSAPFSSA	12" APF® NSAPFXLA
Model Code	HPF	HPF	HPF	HPF
Type of Mineral	Catalytic Carbon	Neutralite/ Magnesium Oxide	⑧	⑧
Amount of Mineral	0.71 cu. ft.	1.0 cu. ft.⑤	1.0 cu. ft.⑧	2.0 cu. ft.⑧
Amount of Gravel Base	17 lbs.	17 lbs.	17 lbs.⑧	29 lbs.⑧
Amount of Filter Sand	10 lbs.	10 lbs.	10 lbs.⑧	15 lbs.⑧
Inlet Water Pressure Limits (min./max.)	20 - 125 psi	20 - 125 psi	20 - 125 psi	20 - 125 psi
Water Temperature Limits (min./max.)	40 - 120 °F	40 - 120 °F	40 - 120 °F	40 - 120 °F
Minimum Inlet Water Flow	270 gal./hour	270 gal./hour	270 gal./hour	420 gal./hour
Service Flow Rate①	10 gal./min.	12 gal./min.	–	–
Backwash Flow Rate②	5 gal./min.	5 gal./min.	5 gal./min.	7 gal./min.
Inlet/Outlet Pipe Size③	1"	1"	1"	1"
Filtering Micron Rating	20	–	–	–
Supply Water pH Limits	–	6.0 - 6.8⑥	–	–
Capacity	34,000 gal.④	15,500 gal.⑦	–	–

① at 10 psi maximum pressure drop.

② at 35 psi inlet pressure.

③ Valve inlet, outlet and installation adaptors provided are 1".
Recommended supply water pipe size: 3/4" to 1-1/4".

④ >70% removal of chloramines at 10 gpm.

⑤ 75% neutralite, 25% magnesium oxide.

⑥ The filter may help neutralize water supply having lower pH,
depending on geographic location.

⑦ Tested with 6.0 - 6.2 pH.

⑧ APF models do not include mineral, gravel or sand. It is the
choice of your contractor, depending on the type of filtering
required for your water supply.

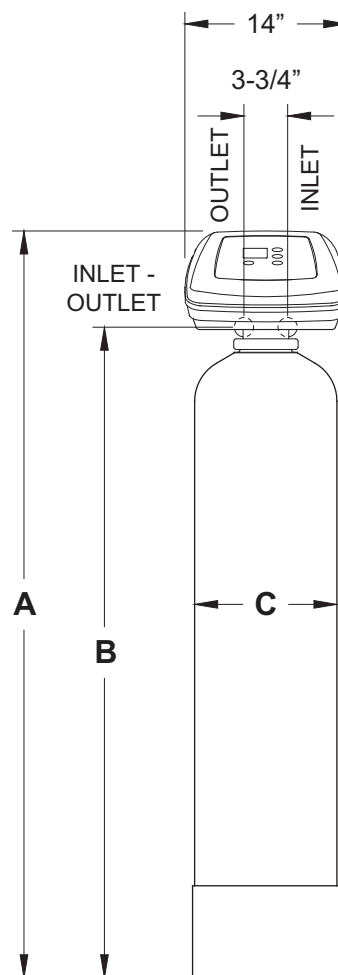


FIG. 1

	Chloramine, Chlorine Taste, Odor & Sediment Filter NSCCTOSSA	Neutralizer NSANSSA	10" APF NSAPFSSA	12" APF NSAPFXLA
Nominal Resin Tank Size	10" dia. x 47"			12" dia. x 54"
Dimension A	58-1/8"			64-1/4"
Dimension B	49-3/4"			55-1/2"
Dimension C	10-1/2" dia.			12-1/4" dia.

General Filter Information

SEDIMENT FILTER

A sediment filter removes sand, dirt, clay, silt, and fine organic matter from water. You can see sediment in water by filling a clear drinking glass and holding it up to a light. The sediment particles are either suspended in the water, or settled to the bottom of the glass.

The mineral bed in the sediment filter is a “filter aggregate” material. The bed traps and holds the sediments as water flows through it. When properly maintained, the mineral can last indefinitely.

TASTE & ODOR FILTER

Taste & odor filters remove most tastes, odors and certain organic colors from water. Bad tastes and odors are due to a variety of causes (chlorine, petroleum, tannins, etc.). Activated carbon mineral, used in this filter, has a high capacity for adsorbing these impurities.

The activated carbon mineral bed usually lasts for about one year before it's exhausted. High amounts of tastes and odors, and/or higher water usages may shorten this time. Activated carbon can't be regenerated and must be replaced when exhausted (see page 16).

WATER NEUTRALIZING FILTER

All water, when chemically analyzed, is either acid, neutral, or base (alkaline). To quantify this, the water is given a pH value between 0 and 14. Water having a pH from 0 to 6.9 is acid. A pH of 7 is neutral. Above 7, the water is alkaline.

Acid water, although sometimes clear in appearance, shortens the life of iron pipe and corrodes copper or brass pipe and fittings. It causes green or blue stains on plumbing fixtures, and may etch porcelain enamel over a period of time.

An acid neutralizer filter is used to treat water with a pH of 6.0 to 6.8. The filter is filled with a bed of neutralite/magnesium oxide mineral. As acid water passes through the filter, some of the mineral dissolves to raise the pH and neutralize the acid. Because the mineral does dissolve, the filter needs to be refilled. How often depends on the degree of acidity, and how much water is used. See page 15 to determine when refilling is needed.

Before Starting Installation

WHERE TO INSTALL THE FILTER

- Place the filter as close as possible to the pressure tank (well system) or water meter (city water).
- Place the filter as close as possible to a floor drain, or other acceptable drain point (laundry tub, sump, standpipe, etc.). The drain point must be able to discharge the backwash flow rates shown on page 3.
- Connect the filter to the main water supply pipe **UPSTREAM OF the water heater. DO NOT RUN HOT WATER THROUGH THE FILTER.** The temperature of water passing through the filter must be less than 120°F.
- Keep outside faucets on unfiltered water to conserve filtering capacity.
- Do not install the filter in a place where it could freeze. Damage caused by freezing is not covered by the warranty.
- Put the filter in a place water damage is least likely to occur if a leak develops. The manufacturer will not repair or pay for water damage.
- A 120V, 60 Hz electrical outlet, to plug the included power supply into, is needed near the filter. Be sure the electrical outlet and power supply are in an inside location, to protect from wet weather.
- If installing in an outside location, you must take the steps necessary to assure the filter, installation plumbing, wiring, etc., are as well protected from the elements, contamination, vandalism, etc., as when installed indoors.
- Keep the filter out of direct sunlight. The sun's heat may soften and distort plastic parts.

TOOLS, PIPE & FITTINGS, OTHER MATERIALS YOU WILL NEED

- Plastic inlet and outlet fittings included with the filter allow water flow equivalent to 1 inch nominal pipe. To maintain full valve flow, 1" pipes to and from the filter fittings are recommended. Do not reduce the pipes to less than 3/4" size. Follow local codes.
- Use copper, brass, or galvanized pipe and fittings. Some codes may also allow CPVC plastic pipe.
- **ALWAYS** install the included bypass valve, or 3 shut-off valves. Bypass valves let you turn off water to the filter for repairs if needed, but still have water available to the house pipes.
- Drain hose, 5/8" inside diameter minimum, with a garden hose connection on one end, is needed for the valve drain. See step 5 on page 9.
- If a rigid valve drain is needed, to comply with plumbing codes, you can buy the parts needed (see page 7) to connect a 1/2" minimum copper tubing drain.

PLAN HOW YOU WILL INSTALL THE FILTER

You must first decide how to run in and out pipes to the filter. Look at the house main water pipe at the point where you will connect the filter. Is the pipe soldered copper, glued plastic, or threaded brass/galvanized? What is the pipe size?

Now look at the typical installation illustration on page 7. Use it as a guide when planning your particular installation. Be sure to direct incoming, unfiltered water to the filter valve inlet fitting. The valve ports are marked IN and OUT.

Media Loading - APF Models Only

MEDIA LOADING

Models NSAPFSSA & NSAPFLA, as manufactured, have no media in the tank. Before plumbing the unit, load gravel, sand and mineral (See table on Page 3 for amounts):

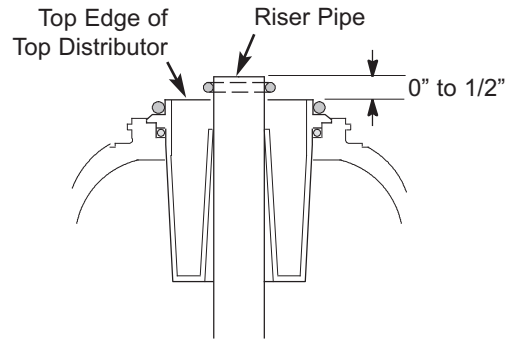
1. Move the filter into installation location and set it on a flat, level surface.
2. Take off the unit's top cover and unplug the wiring connections between the valve and the control board (PWA).
3. Remove retainer clips and clamp sections from the tank neck and carefully lift the valve off the tank.
4. Check the height of the riser pipe, as shown in Figure 2.
5. After confirming the riser pipe height, remove the top distributor from the tank neck, leaving the bottom distributor (including riser pipe) in place, centered in the tank.
6. With a pail or hose, fill the tank with 1-2 feet of water. The water acts as a cushion to protect the bottom distributor while filling the tank with gravel and media.
7. Cover the top end of the distributor tube with a clean rag, to keep gravel and media out (See Fig. 3).
8. Using a larger neck funnel, add the recommended amount of gravel (See Page 3.) Be sure the distributor remains centered.

NOTE: When coarse, medium and fine gravels are specified, add in that order.

9. Add the recommended amounts of sand and mineral (See Page 3). Use water sparingly to speed flow through the funnel (It may become necessary to siphon water from the bottom of distributor if tank becomes full of water).
10. Flush the tank opening with water to clean media particles from the top of the tank. Uncover the bottom distributor stand tube.
11. Finish filling the tank with water, up to the top of the tank.

IMPORTANT: Be sure to fill with water. This will eliminate air space, wet the media and prevent excessive air-head pressure when filter is pressurized.

12. Install the o-ring seals and top distributor exactly as shown in Figure 4. Place the small o-ring at the top of the riser pipe, where shown in Figure 3. If the o-rings need lubrication, use a high quality silicone grease.
13. Lower the valve assembly onto the tank, centering over the riser tube. Push downward, against the o-ring, and install the clamp sections, securing with the retainer clips.
14. Reconnect the wiring between the valve and the control board (PWA).
15. Verify that the drain flow plug (See Key No. 59 on Page 23) is appropriately sized for the media used. If necessary, install a different flow plug.



Note: Resin tank height can vary somewhat within manufacturing tolerance. So that the bottom distributor riser pipe has proper clearance with inside valve porting, check for the correct length, as shown above. Cut the riser pipe if needed to adjust the length. Be sure to remove burrs and sharp edges.

FIG. 2

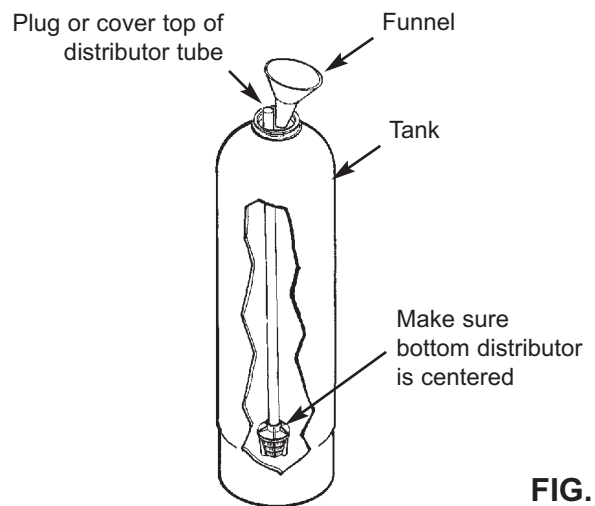


FIG. 3

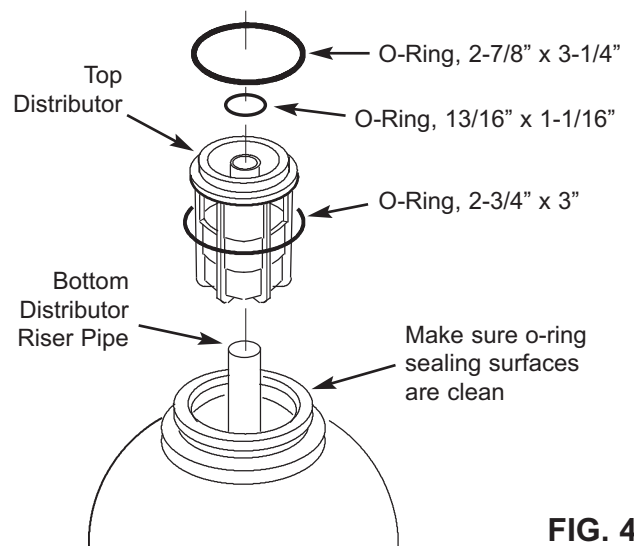


FIG. 4

Typical Installation Illustrations

INSTALLATION USING INCLUDED BYPASS VALVE

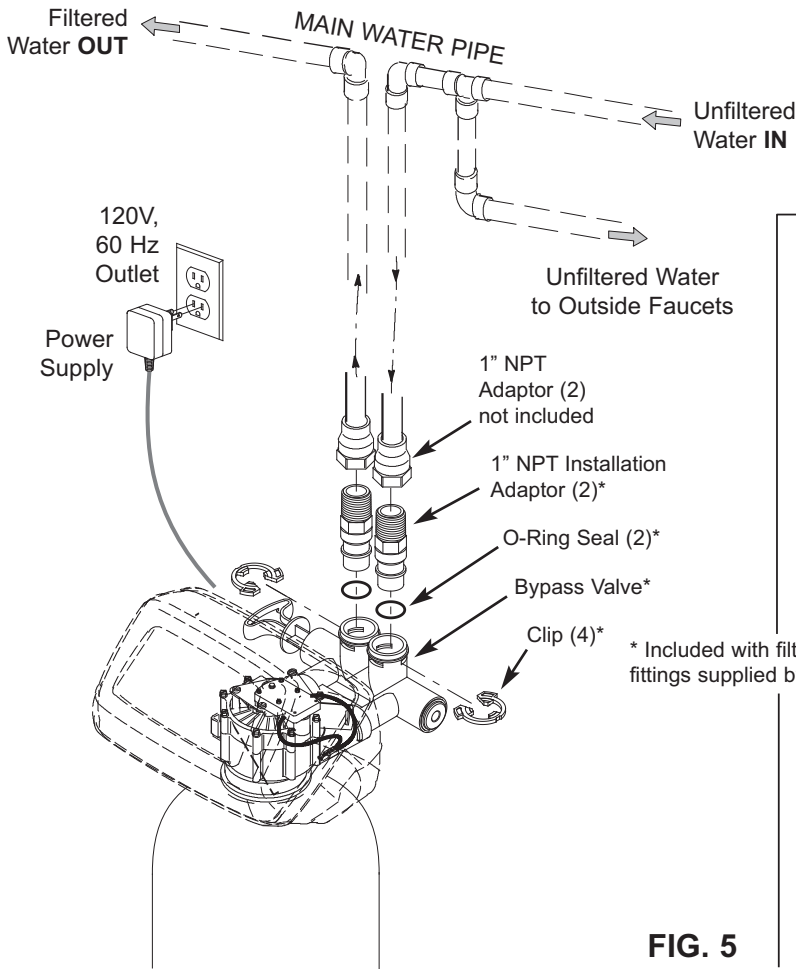
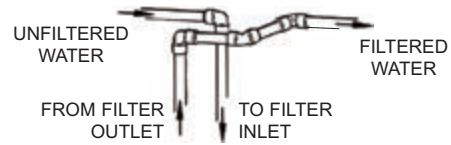


FIG. 5

CROSS-OVER

Use if water supply flows from the left. Include single or 3-valve bypass.



INSTALLATION USING 3-VALVE BYPASS

For filtered water SERVICE:

- Open the inlet and outlet valves

For unfiltered BYPASS:

- Close the inlet and outlet valves
- Open the bypass valve

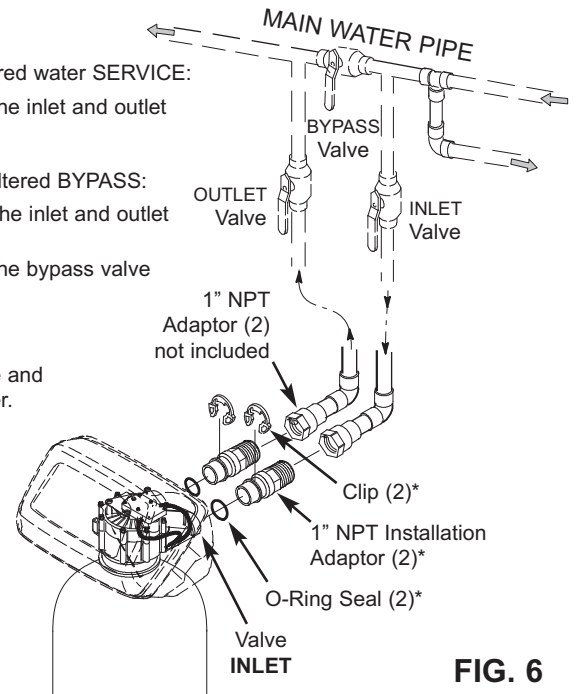
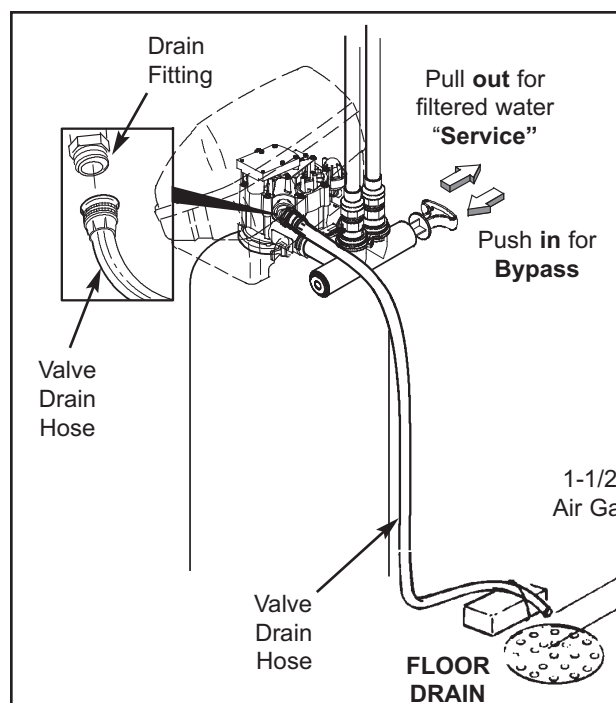
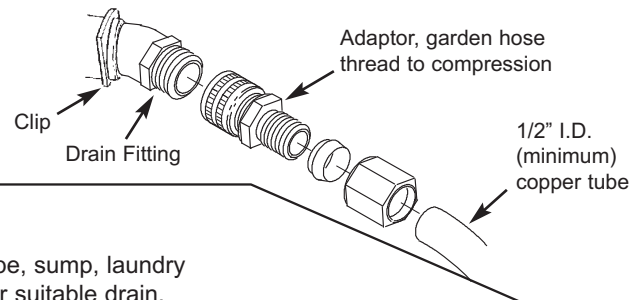


FIG. 6



CONNECTING A RIGID VALVE DRAIN TUBE

To adapt a copper tube to the filter, buy a compression fitting (garden hose thread to 1/2" I.D. minimum tube and necessary tubing from your local hardware store.



To standpipe, sump, laundry tub or other suitable drain.

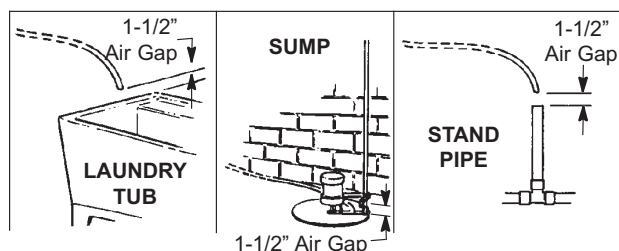


FIG. 7

Installation Instructions

IMPORTANT SANITIZING PROCEDURES

Care is taken at the factory to keep your water filter clean and sanitary. Materials used to make the filter will not infect or contaminate your water supply, and will not cause bacteria to form or grow. However, during shipping, storage, installing and operating, bacteria could get into the filter or media. For this reason, sanitizing as follows is suggested* when installing.

a. Pour about 1 ounce of the following disinfectant into the valve inlet fitting:

- Calcium hypochlorite, available in granular or tablet form, under trade names such as Perchloron or HTH - **OR** -
- Common 5.25% household bleach (Clorox or other brands).

b. Complete the sanitizing procedures in steps 6 and 9, below.

*NOTE: Sanitizing is recommended by the Water Quality Association for disinfecting. On some water supplies, they suggest periodic sanitizing.

1. TURN OFF WATER SUPPLY

- a. Close the main water supply valve near the well pump or water meter.
- b. Shut off the electric or fuel supply to the water heater.
- c. Open high and low faucets to drain all water from the house pipes.

2. INSTALL BYPASS VALVE AND/OR PLASTIC INSTALLATION ADAPTORS

a. If installing a single bypass valve, push the bypass valve, with lubricated o-ring seals in place, into the valve inlet and outlet ports (See Figures 5 & 8).

- OR -

b. If installing a 3-valve bypass system, slide plastic installation adaptors, with lubricated o-ring seals in place, into the valve inlet and outlet ports (See Figures 4 & 8).

c. Make sure the turbine support is in place in the valve outlet, as shown in Figure 9.

d. Snap the two large plastic clips in place on the inlet and outlet ports, from the top, down (See Figure 10). Be sure they snap into place. Pull on the bypass valve, or installation adaptors, to make sure they are held securely in place.

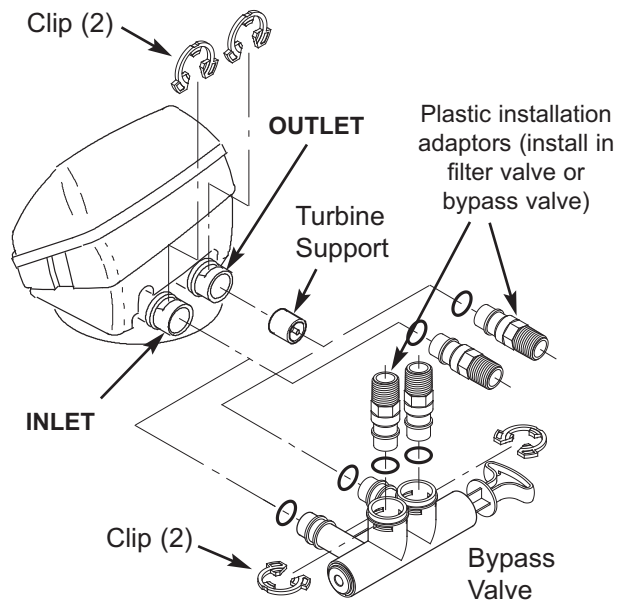


FIG. 8

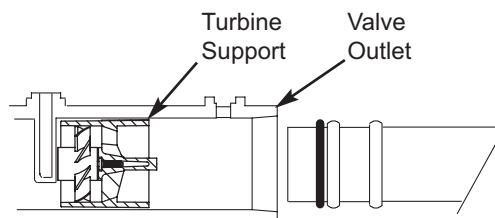


FIG. 9

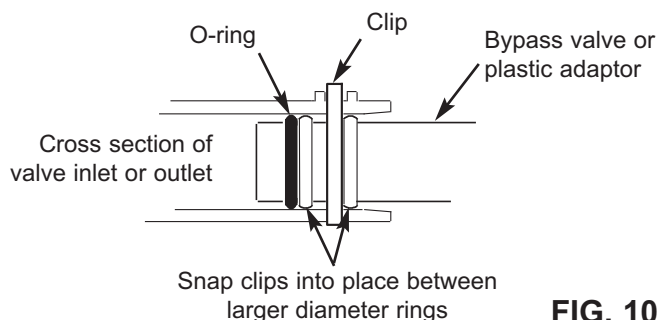
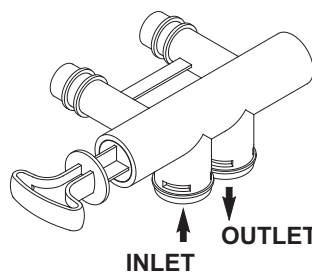


FIG. 10



Turn the bypass valve downward if connecting to floor level plumbing

FIG. 11

Installation Instructions

3. COMPLETE PLUMBING TO AND FROM THE FILTER

Using the “Typical Installation Illustrations” on page 7 as a guide, observe all of the following cautions while you connect inlet and outlet plumbing:

- Be sure incoming, **unfiltered water** is directed to the valve **INLET** port.
- Be sure to install bypass valve(s).
- If making a soldered copper installation, do all sweat soldering before connecting pipes to the filter fittings. Torch heat will damage plastic parts.
- Use pipe joint compound on all external pipe threads.
- When turning threaded pipe fittings onto plastic fittings, use care not to cross-thread.
- Support inlet and outlet plumbing in some manner (use pipe hangers) to keep the weight off of the valve fittings.

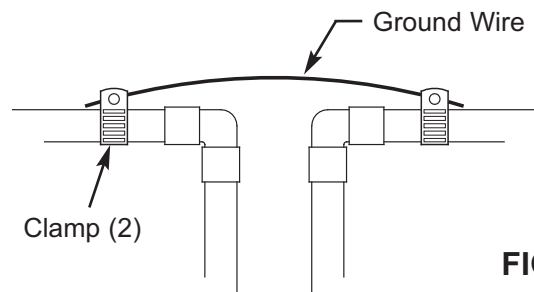


FIG. 12

4. COLD WATER PIPE GROUNDING

CAUTION: The house cold water pipe (metal only) is often used as a ground for the house electrical system. The 3-valve bypass type of installation, shown in Figure 6, will maintain ground continuity. If you use a plastic bypass valve at the unit, continuity is broken. To restore the ground, do the following:

- a. Install a #4 copper wire across the removed section of main water pipe, securely clamping it at both ends (See Figure 12) - parts not included.

NOTE: Check local plumbing and electrical codes for proper installation of grounding. The installation must conform to them. In Massachusetts, plumbing codes of Massachusetts shall be conformed to. Consult with your licensed plumber.

5. INSTALL VALVE DRAIN HOSE

- a. Take a length of 5/8” inside diameter garden hose and attach to the valve drain fitting (See Figure 7 on page 7).
- b. Locate the other end of the hose at a suitable drain point (floor drain, sump, laundry tub, etc.). Check and comply with local codes. Refer to Figure 7 on page 7 if codes require a rigid pipe drain run.

IMPORTANT: Use high quality, thick wall hose that will not easily kink or collapse. The filter will not backwash properly if water cannot exit this hose during recharges.

- c. Tie or wire the hose in place at the drain point. Water pressure will cause it to whip during the backwash and fast rinse cycles of recharge. Also provide an air gap of at least 1-1/2” between the end of the hose and the drain point. An air gap prevents possible siphoning of sewer water, into the filter, if the sewer should back up.
- d. If raising the drain hose overhead is required to get to the drain point, do not raise higher than 8 feet above the floor. Elevating the hose may cause a back pressure that could reduce backwash flow and proper mineral bed cleaning.

6. FLUSH PIPES, CIRCULATE DISINFECTANT, EXPEL AIR FROM FILTER, AND TEST YOUR INSTALLATION FOR LEAKS

CAUTION: To avoid water or air pressure damage to filter inner parts, be sure to do the following steps exactly as listed:

- a. Fully open two cold, filtered water faucets nearby the filter.
- b. Place bypass valve(s) into “bypass” position. On a single valve, slide the stem inward to BYPASS (See Fig. 7 on page 7). On a 3 valve system, close the inlet and outlet valves, and open the bypass valve (See Fig. 6 on page 7).
- c. Fully open the house main water pipe shutoff valve. Observe a steady flow from both opened faucets.
- d. Place bypass valve(s) into “service”, EXACTLY as follows. KEEP FILTERED WATER FAUCETS OPEN.
 - **Single Bypass Valve:** SLOWLY, pull the valve stem outward to “service” position, pausing several times to allow the filter to pressurize slowly.
 - **3 Valve Bypass:** Fully close the bypass valve and open the outlet valve. SLOWLY, open the inlet valve, pausing several times to allow the filter to pressurize slowly. The sanitizing bleach also circulates through the filter.

continued on next page

Installation Instructions

continued from previous page

- e. After about three minutes, open a HOT water faucet for one minute, or until all air is expelled, then close.
- f. Close both cold water faucets.
- g. Check your plumbing work for leaks and, if any are found, fix right away. Be sure to observe previous caution notes.
- h. Turn on the gas or electric supply to the water heater. Light the pilot, if applicable.

7. CONNECT TO ELECTRICAL POWER

The filter works on low voltage electric power. The included power supply changes standard 120V AC house power to 24V DC. Plug the power supply into a 120V, 60 Hz electrical outlet. Be sure the outlet is always “live” so it can not be switched off by mistake.

8. PROGRAM THE TIMER

See pages 11 & 12 for instructions to program the timer.

9. CLEANING / SANITIZING PROCEDURE

- a. About 20 minutes after completing step 6, use the RECHARGE NOW feature, on the timer, to start an immediate recharge. Any remaining sanitizing bleach is drawn through the filter and discharged to the drain. The backwash and following fast rinse is over in about 40 minutes.
- b. After the recharge has completed, fully open a cold water faucet downstream from the filter and allow 50 gallons of water to pass through the filter. This should take 20 minutes. Close the faucet.
- c. Cleaning/sanitizing process is complete.

Programming the Electronic Controller

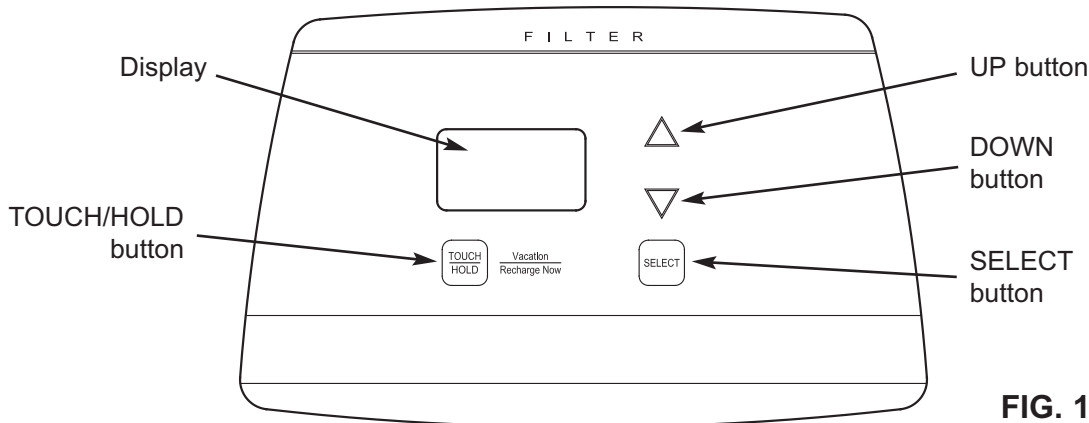


FIG. 13

CONTROLLER SETTINGS REQUIRED

upon installation, and after an extended power outage.

When the power supply is plugged into the electrical outlet, a model code (see table on page 3) and a test number (example: J3.8), are briefly shown in the display. Then the words "PRESENT TIME" appear and 12:00 PM begins to flash.

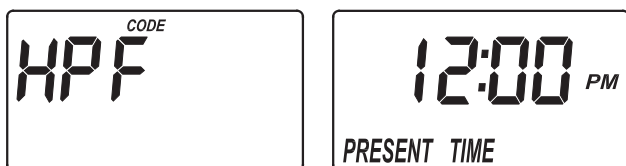


FIG. 14

A. SET PRESENT TIME OF DAY

If the words "PRESENT TIME" do not show in the display, press the SELECT button several times until they do.

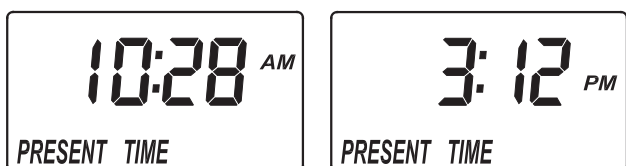


FIG. 15

1. Press the Δ UP or ∇ DOWN buttons to set the present time. Up moves the display ahead; down sets the time back. Be sure AM or PM is correct.

NOTE: Press buttons and quickly release to slowly advance the display. Hold the buttons down for fast advance.

2. When the correct time is displayed, press the SELECT button, and the display will change to show the next setup screen.

B. SET DAYS BETWEEN RECHARGES

1. If you completed the previous step, the word "RECHARGE" should show in the display (See Figure 16). Otherwise, press the SELECT button several times until it does.



FIG. 16

2. The default setting is 3 days. This means that the filter will recharge every 3 days. To change the number of days between recharges, use the Δ UP or ∇ DOWN buttons to adjust from 1 to 99 days.

Number of People	Iron (parts per million)			
	1 - 2	3 - 4	5 - 7	8 - 20
1	4 days	3 days	2 days	1 day
2	4 days	3 days	2 days	1 day
3	4 days	3 days	1 day	1 day
4	3 days	2 days	1 day	1 day
5	3 days	2 days	1 day	1 day
6	2 days	1 day	1 day	1 day
7	2 days	1 day	1 day	1 day

NOTE: If the water supply has high turbidity (sand, silt, sediments, etc.) set to recharge more often than the table shows. Carbon and neutralizing filters may only need to backwash once a week, depending on application.

3. When the desired number of days is displayed, press the SELECT button, and the display will change to show the next setup screen.

continued on next page

Programming the Electronic Controller

continued from previous page

C. SET RECHARGE START TIME

1. If you completed the previous step, the words "RECHARGE TIME" should show in the display (See Figure 17). Otherwise, press the SELECT button several times until they do.

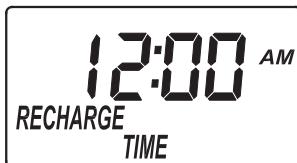


FIG. 17

2. The filter's default recharge start time is 12:00 AM. This is normally a time of day when water is not being used in the household. If you have a water softener or another filter installed, the recharge start times should be offset to assure adequate water flow and pressure. For example, if the water softener is set to begin recharge at 2:00 AM, set the filter to start recharge at 12:00 AM, or 4:00 AM. Use the \triangle UP or ∇ DOWN buttons to adjust the recharge start time.
3. When the desired recharge time is displayed, press the SELECT button, and the display will change to show the normal run (time of day) display.

Controller Features / Options

NORMAL OPERATION

During normal operation, the present time of day shows in the display.

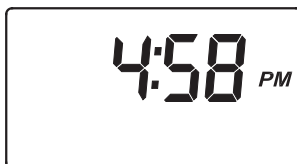


FIG. 18

RECHARGE NOW

For times when you expect to use more water than usual, it may be desirable to perform a manually initiated recharge. To manually start a recharge cycle, press and hold the TOUCH/HOLD button for a few seconds, until "RECHARGE NOW" flashes in the display. The filter begins an immediate backwash. Once started, you cannot cancel this recharge. Avoid using hot water during this time, as the water heater will refill with unfiltered water.

POWER OUTAGE MEMORY

If electrical power to the filter's control is lost, internal memory will maintain most settings such as the days between recharge and recharge time. However, unless the power outage was very brief, the clock's present time will need to be reset. During a power outage, the display will be blank and the filter will not recharge. When electrical power is restored:

1. Check the display.
- 2a. If the present time is displayed steadily (not flashing), the controller did not lose time and you do not need to reset the clock.
- 2b. If a time is flashing in the display, then the clock needs to be reset to the correct present time. See "Set Time of Day" on page 11. The flashing display is to remind you to reset the clock. If you do not reset the clock, then recharges will most likely occur at the wrong time of day.

NOTE: If the filter was recharging when power was lost, it will finish the cycle when power returns.



FIG. 19

VACATION CONTROL

1. **Before going on vacation**, or other long absence, press (but do not hold) the TOUCH/HOLD button, so that "VAC" begins to flash in the display. The timer continues to keep time, but recharges will not occur, saving water.



FIG. 20

2. **When you return**, press the TOUCH/HOLD button again. This cancels the flashing "VAC" and returns the filter to normal service. You must remember to do this, or the filter will not recharge.

Controller Features / Options

RECHARGE CYCLE TIME ADJUSTMENTS

The default durations for fill (0 minutes), solution draw / rinse (0 minutes), backwash (25 minutes), and fast rinse (5 minutes), are factory set for maximum filter performance. Use the following procedure to check for correct cycle times, or to change if desired.

However, only trained technicians should change the time settings.

A. ADJUSTABLE FILL TIME

1. Press and hold for 3 seconds the SELECT button, until the display shows "000 - -" (See Figure 21), then press the SELECT button again to display the fill time adjust screen (See Figure 22).



FIG. 21



FIG. 22

2. Use the \triangle UP or ∇ DOWN buttons to adjust fill time from 0:00 minutes to 99:59 minutes.
3. When the desired fill time is displayed, press the SELECT button, and the display will change to show the next cycle time adjust screen.

B. ADJUSTABLE SOLUTION DRAW / RINSE TIME

1. If you completed the previous step, the solution draw / rinse time adjust screen should show in the display (See Figure 23). Otherwise, press and hold for 3 seconds the SELECT button, until the display shows "000 - -", then press the SELECT button twice to display the solution draw / rinse time adjust screen.

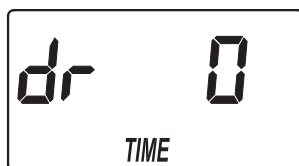


FIG. 23

2. Use the \triangle UP or ∇ DOWN buttons to adjust solution draw / rinse time from 0 to 255 minutes.
3. When the desired draw time is displayed, press the SELECT button, and the display will change to show the 12/24 hour clock setting screen.

C. 12 OR 24 HOUR CLOCK

1. If you completed the previous step, the 12/24 hour clock setting screen should show in the display (See Figure 24). Otherwise, press and hold for 3 seconds the SELECT button, until the display shows "000 - -", then press the SELECT button three times to display the 12/24 hour clock setting screen.

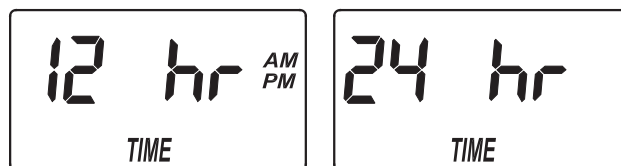


FIG. 24

2. All time displays are shown in 12 hour (AM/PM) format at the default setting. If 24 hour time format is desired, set to "24 hr" by pressing the \triangle UP button.
3. Press the SELECT button, and the display will change to show the next cycle time adjust screen.

D. ADJUSTABLE BACKWASH TIME

1. If you completed the previous step, the backwash time adjust screen should show in the display (See Figure 25). Otherwise, press and hold for 3 seconds the SELECT button, until the display shows "000 - -", then press the SELECT button four times to display the backwash time adjust screen.

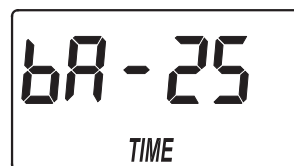


FIG. 25

2. Use the \triangle UP or ∇ DOWN buttons to adjust backwash time from 0 to 99 minutes.
3. When the desired backwash time is displayed, press the SELECT button, and the display will change to show the next cycle time adjust screen.

continued on next page

Controller Features / Options

continued from previous page

E. ADJUSTABLE FAST RINSE TIME

1. If you completed the previous step, the fast rinse time adjust screen should show in the display (See Figure 26). Otherwise, press and hold for 3 seconds the SELECT button, until the display shows "000 - -", then press the SELECT button five times to display the fast rinse time adjust screen.

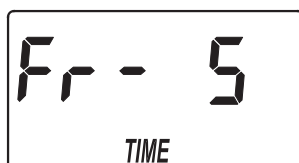


FIG. 26

2. Use the \triangle UP or ∇ DOWN buttons to adjust fast rinse time from 0 to 99 minutes.
3. When the desired fast rinse time is displayed, press the SELECT button. Press the SELECT button several times to advance through the remaining screens and return to the normal run (time of day) display.

F. AUXILIARY OUTPUT CONTROL

The electronic controller's auxiliary output may be used to operate various types of external equipment, such as a chlorine generator or chemical feeder. It provides a 24V DC, up to 500 mA, current from terminal J4 on the electronic control board (see Schematic on page 18). The table below explains the choices available for when the auxiliary output will be on during various portions of the recharge cycle.

SELECTION	NAME	AUXILIARY OUTPUT FUNCTION
OFF	Off	Remains off indefinitely.
BP	Bypass	On during the entire recharge.
CL	Chlorine	On during the brine draw portion of the recharge.
FS	Flow Switch	On when water is flowing past the turbine*. It will shut off 8 seconds after water flow stops.
CF	Chemical Feeder	After the set volume of water has flowed past the turbine*, turns on for the time set (see Steps 4 & 5, below, to set volume and time).
FR	Fast Rinse	On during the fast rinse portion of the recharge.

The default is OFF. If you wish to change to one of the other selections shown in the table:

* A turbine and turbine cable must be added to the system if auxiliary output selections "FS" or "CF" are to be used.

1. Press and hold the SELECT button until "000 - -" shows in the display (See Figure 27).



FIG. 27

2. Press the SELECT button six times, until "Ctrl" flashes in the display (See Figure 28).

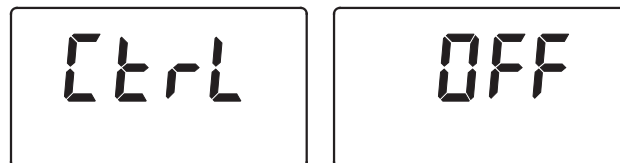


FIG. 28

3. Use the \triangle UP or ∇ DOWN buttons to display the desired selection, then press the SELECT button. If you selected anything other than CF, the display will return to the normal run (time of day) screen. If setting to CF (Chemical Feeder), there will be two additional settings to make for operating the chemical feeder in Steps 4 and 5, below.

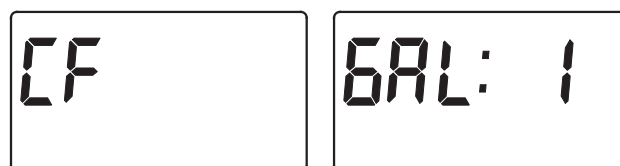


FIG. 29

4. **CHEMICAL FEEDER TRIP VOLUME:** If you have set the auxiliary output control to CF (Chemical Feeder), you will need to set the volume of water which must flow past the turbine* before the auxiliary output is turned on. With the alternating screens in Fig. 29 shown, use the \triangle UP or ∇ DOWN buttons to set the trip volume, in gallons. Then press the SELECT button to display the screen shown in Fig. 30.

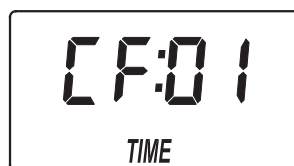


FIG. 30

5. **CHEMICAL FEEDER TIME:** Use the \triangle UP or ∇ DOWN buttons to set the length of time, in seconds, that the auxiliary output will be turned on. Then press the SELECT button to accept and return to the normal run (time of day) screen.

General Filter Maintenance

The filters require a minimum of care. A backwash at regular intervals will keep the filter mineral bed clean and operating at top efficiency. Eventually, a neutralizer filter will require a refill of mineral because it does

dissolve away (see below). The activated carbon in a taste & odor filter will need to be replaced after it has exhausted its ability to adsorb (see next page).

ADDING MINERAL TO THE NEUTRALIZING FILTER

The neutralite/magnesium oxide mineral slowly dissolves to neutralize acid in the water. If the filter is not serviced, all of the mineral would dissolve. How fast it dissolves depends on the pH of the water, how much water is used, and other water conditions. Because of the variables, it is difficult to determine exactly when to add more mineral. When you have had the filter for a period of time, experience will tell you when to add more mineral. You can use the instructions following step 7 as a guide to determine when to refill the next time.

ADDING MINERAL

Refill the filter with mineral the first time about 6 months after installation. See step 7 to determine the next time to refill.

1. Press the Touch/Hold button until "RECHARGE NOW" begins to flash in the time display.
2. Wait until water begins to flow from the valve drain hose. Then, place the bypass valve(s) in "bypass" position. Refer figures 6 and 7 on page 7.

IMPORTANT: To relieve pressure in the tank, be sure to do steps 1 and 2 as instructed.

3. Unplug the power supply at the wall outlet.
4. Carefully remove the clips at the filter valve inlet and outlet. Then, separate the filter from the installation adaptors, or from the bypass valve (Figure 8, page 8).
5. Remove the two clamp retainers and two clamp sections that hold the valve to the tank. Lift the valve assembly up and off the tank.
6. Remove three o-ring seals and the top distributor from the tank. Inspect the o-rings to be sure they are reusable (see repair parts pages). Set the parts safely aside so they won't be lost or broken.
7. To make room in the tank for new mineral, use a hose to siphon water out. Run the hose about 36" down the inside of the bottom distributor. Be careful not to damage the top edge of the tube.

PROTECT THE FILTER FROM FREEZING

If the filter is installed where it could freeze (summer cabin, lake home, etc.), you must drain all water from

DETERMINE MINERAL ADDING FREQUENCY

At this time, take a yard stick or tape measure and measure down to the top of the mineral bed. Use a flashlight so you can see the top of the bed. Measure inches as shown in Figure 31 (see next page).

If the measurement is 32" or less, over half of the mineral bed remains. You could wait for 9-10 months before refilling the next time (assuming water usage remains about the same).

If the measurement is 38" or more, less than 1/4 of the bed remains. It may be better to add mineral more often than every 6 months.

8. Plug the end of the bottom distributor tube with a rag. Then, use a large neck funnel to add new mineral into the tank.

CAUTION: Do not pour mineral into the bottom distributor tube.

CAUTION: Do not overfill the tank. Freeboard area (Figure 31, next page) is needed for proper backwash cleaning of the mineral bed.

9. Use water to flush the tank top opening. It must be clean for good o-ring sealing surfaces.
10. Be sure the three o-ring seals are lubricated (use silicone grease). Then, referring to the inset drawing in Figure 31, place in position along with the top distributor.
11. Carefully, lower the valve assembly onto the tank adaptor. Install the clamps and retainers, making sure they are securely fastened.
12. Reconnect filter valve inlet and outlet to installation adaptors, or bypass valve, and put clips back on, making sure they are snapped securely in place.
13. Do steps 6 and 7 on pages 9 and 10. The filter will complete the backwash you started in step 1, above.

it to prevent possible freeze damage. Be sure to protect your filter from freezing temperatures.

General Filter Maintenance

REPLACING MINERAL IN THE TASTE & ODOR FILTER

The activated carbon mineral adsorbs tastes and/or odors in the water supply. How long it lasts depends on how much water is used, and other conditions. Average life of the mineral is about one year. When tastes and/or odors return in your filtered water, mineral bed replacement is needed.

MINERAL REPLACEMENT

1. Press the Touch/Hold button until "RECHARGE NOW" begins to flash in the time display.
2. Wait until water begins to flow from the valve drain hose. Then, place the bypass valve(s) in "bypass" position. Refer to figures 6 and 7 on page 7.

IMPORTANT: To relieve pressure in the tank, be sure to do steps 1 and 2 as instructed.

3. Unplug the power supply at the wall outlet.
4. Carefully remove the clips at the filter valve inlet and outlet. Then, separate the filter from the installation adaptors, or from the bypass valve (Figure 8, page 8).
5. Remove the two clamp retainers and two clamp sections that hold the valve to the tank. Lift the valve assembly up and off the tank.
6. Remove three o-ring seals and the top distributor from the tank. Inspect the o-rings to be sure they are reusable (see repair parts pages). Set the parts safely aside so they won't be lost or broken.

CAUTION: Handle the tank carefully when doing the following step. Do not attempt to lift the tank. Wet carbon is very heavy.

7. At a floor drain, carefully tip the tank over to empty the contents. Catch the carbon in a burlap sack or other suitable container. Remove the bottom distributor when you are able to do so.
8. Flush the inside of the tank with fresh water to thoroughly clean.
9. Stand the tank upright and replace the bottom distributor. Plug the end of the bottom distributor tube with a rag.
10. Use a large neck funnel to add the new bed. First, add 17 lbs of gravel, followed by 10 lbs of filter sand. Finally, making sure the bottom distributor is centered, add 1 cu. ft. of activated carbon mineral into the tank. Use water sparingly to assist the flow of mineral through the funnel.
11. Use water to flush the tank top opening. It must be clean for good o-ring sealing surfaces.
12. Be sure the three o-ring seals are lubricated (use silicone grease). Then, referring to the inset

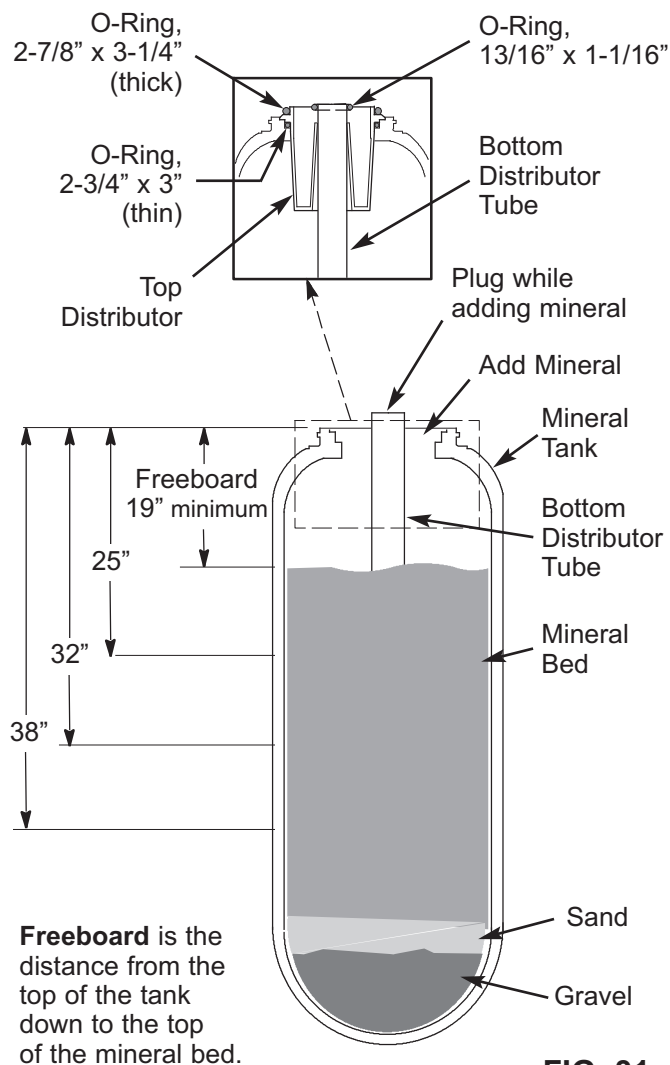


FIG. 31

drawing in Figure 31, place in position along with the top distributor.

13. Carefully, lower the valve assembly onto the tank adaptor. Install the clamps and retainers, making sure they are securely fastened.
14. Reconnect filter valve inlet and outlet to installation adaptors, or bypass valve, and put clips back on, making sure they are snapped securely in place.
15. Do steps 6 and 7 on pages 9 and 10. The filter will complete the backwash you started in step 1, above.

NOTE: Backwashing removes carbon "fines" (too small or fine particles) from the new mineral. If the filtered water still contains fines, after the backwash, repeat step 1 to initiate another backwash, or open faucets and let the water run until clear.

Troubleshooting Guide

CHECKLIST BEFORE YOU CALL FOR SERVICE

PROBLEM	CAUSE	CORRECTION
Filter will not regenerate	Manual plumbing bypass valve(s) in bypass position.	Refer to figures 6 and 7 on page 7, and position for filtered water "service".
	Power supply unplugged at wall outlet, fuse blown/circuit breaker popped, circuit switched off.	Check for loss of power and correct as needed. Reset the timer and use the RECHARGE NOW feature as described on page 12.
	Timer set for vacation (VAC).	Press the Touch/Hold button once to return the filter to service, see page 12.
	Timer not programmed for regenerations, or time too short.	See pages 11 or 13-14 to set.
	Error code shows in timer display.	See next page.
	Backwash flow control, drain hose restricted or plugged, backwash flow less than 5 gpm.	Check drain hose. Remove drain elbow on filter valve to check flow control. See page 22 to check for correct assembly and orientation. Backwash flow should be 5 gpm or higher.
Low water pressure at house faucets	Well pump pressure switch set too low.	Adjust to a minimum of 20 psi.
	More frequent regeneration needed to keep filter mineral clean.	See page 11 to set days between recharges.
Filtered water contains iron, sediment, dirt, etc.	See all conditions above.	
Neutralizer filter only: Filtered water is acid or partly acid*	Manual plumbing bypass valve(s) in bypass position.	Refer to figures 6 and 7 on page 7, and position for filtered water "service".
	Filter is low on neutralite mineral.	Follow instructions on page 15 to add new mineral.
Taste & Odor filter only: Filtered water has bad taste and/or odor*	Manual plumbing bypass valve(s) in bypass position.	Refer to figures 6 and 7 on page 7, and position for filtered water "service".
	Activated carbon mineral is exhausted.	Follow instructions on page 16 to replace mineral bed.

* Trace the plumbing to be sure that faucet is connected to filtered water.

Schematic

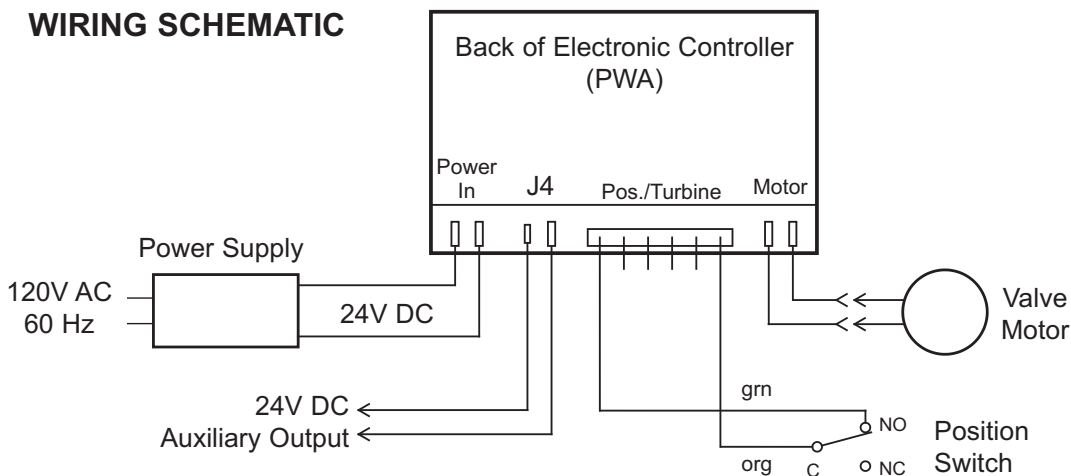


FIG. 32

Troubleshooting

AUTOMATIC ELECTRONIC DIAGNOSTICS

This filter has a self-diagnostic function for the electrical system. The computer monitors electronic components and circuits for correct operation. If a malfunction occurs, an error code appears in the display.



FIG. 33

Code	Possible Problems
Err01	Motor, Valve Position Switch
Err03	Motor, Valve Position Switch, Wire Harness
Err04	Valve Position Switch
Err05	Electronic Control Board (PWA)

The chart above shows the error codes that could appear, and the possible malfunctions for each code.

While an error code appears in the display, all buttons are inoperable except the SELECT button. SELECT remains operational so the service person can perform the Manual Initiated Electronic Diagnostics, see below, to further isolate the problem.

TO REMOVE AN ERROR CODE:

1. Unplug the power supply.
2. Correct the problem.
3. Plug the power supply back in.
4. Wait for at least 8 minutes while the timer operates the valve through an entire cycle. The error code will return if the problem was not corrected.

RESETTING TO FACTORY DEFAULTS

To reset the electronic controller to its factory default for all settings (time, days between recharges, etc.):

1. Press the SELECT button and hold it until the display changes twice to show "CODE" and the flashing model code.
2. Press the Δ UP button (a few times, if necessary) to display a flashing "SoS".

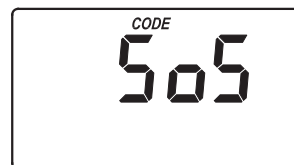


FIG. 34

3. Press the SELECT button, and the electronic controller will restart.
4. Set the present time, days between recharges, etc., as described on pages 11 & 12.

Troubleshooting (continued)

MANUALLY INITIATED ELECTRONIC DIAGNOSTICS

Use the following procedures to advance the filter through the recharge cycles to check operation.

Remove the top cover faceplate assembly by unlocking the tabs and lifting, to observe cam and switch operation during valve rotation (See Figure 36).

1. Press and hold for 3 seconds the SELECT button, until one of the screens shown in Figure 35 is displayed. If the valve is in service, fill, solution draw / brining, backwash or fast rinse position (observe markings on the valve cam), the display should show "000 - -", meaning the position switch is open. When the valve is moving, the display should show "000 - P", meaning that the position switch is closed.

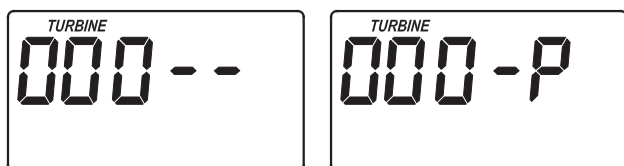


FIG. 35

2. Only for filter systems modified by adding a turbine and turbine cable:

If a turbine has been installed in your filter's valve outlet port, the first 3 digits of the display in Figure 35 should count upward whenever water is flowing through the system.

3. Use the TOUCH/HOLD button to manually advance the valve into each position and check correct switch operation.
4. While in this diagnostic screen, the following information is available and may be beneficial for various reasons. This information is retained by the

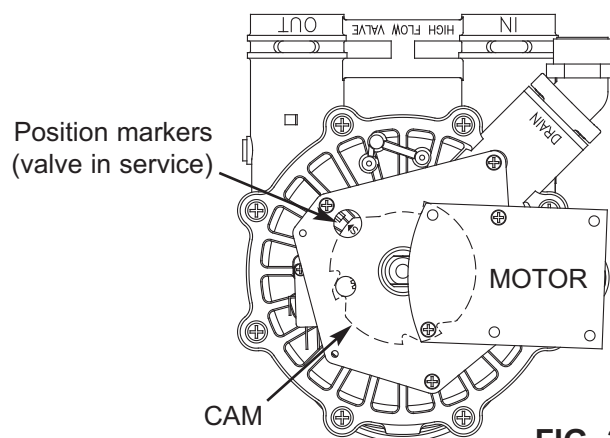


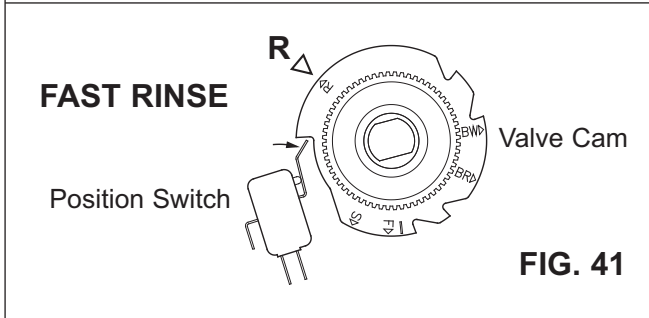
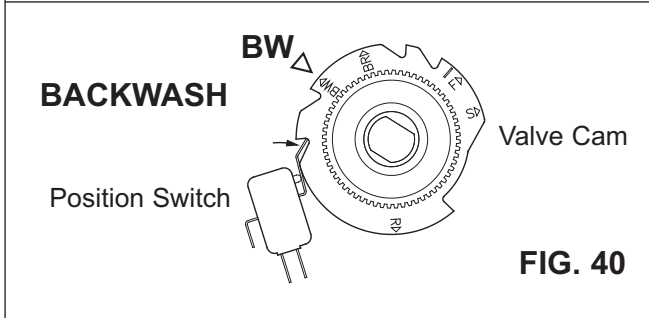
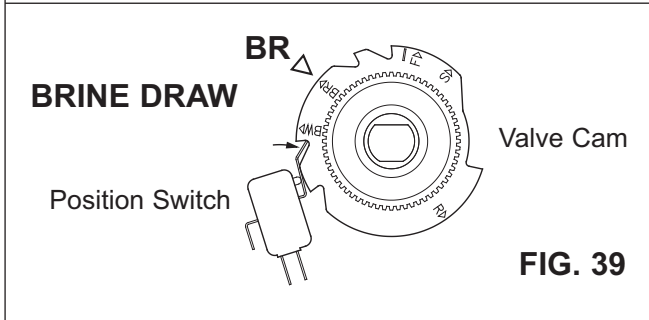
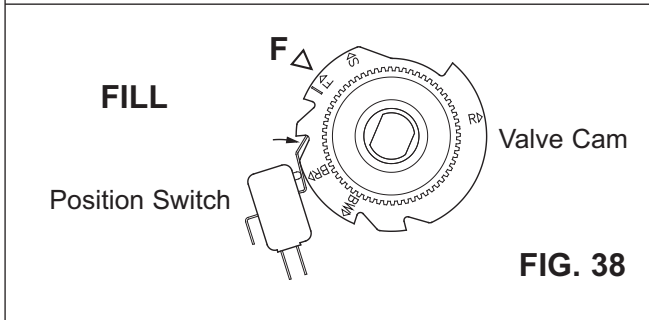
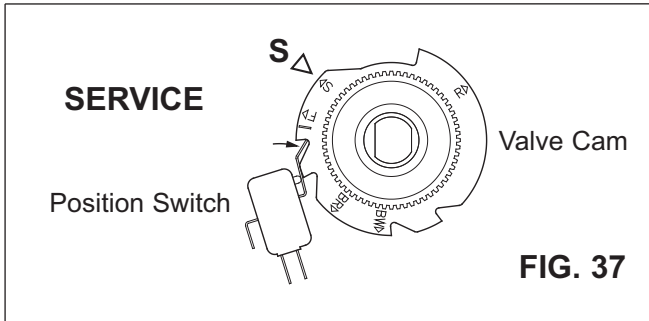
FIG. 36

computer from the first time electrical power is applied to the electronic controller.

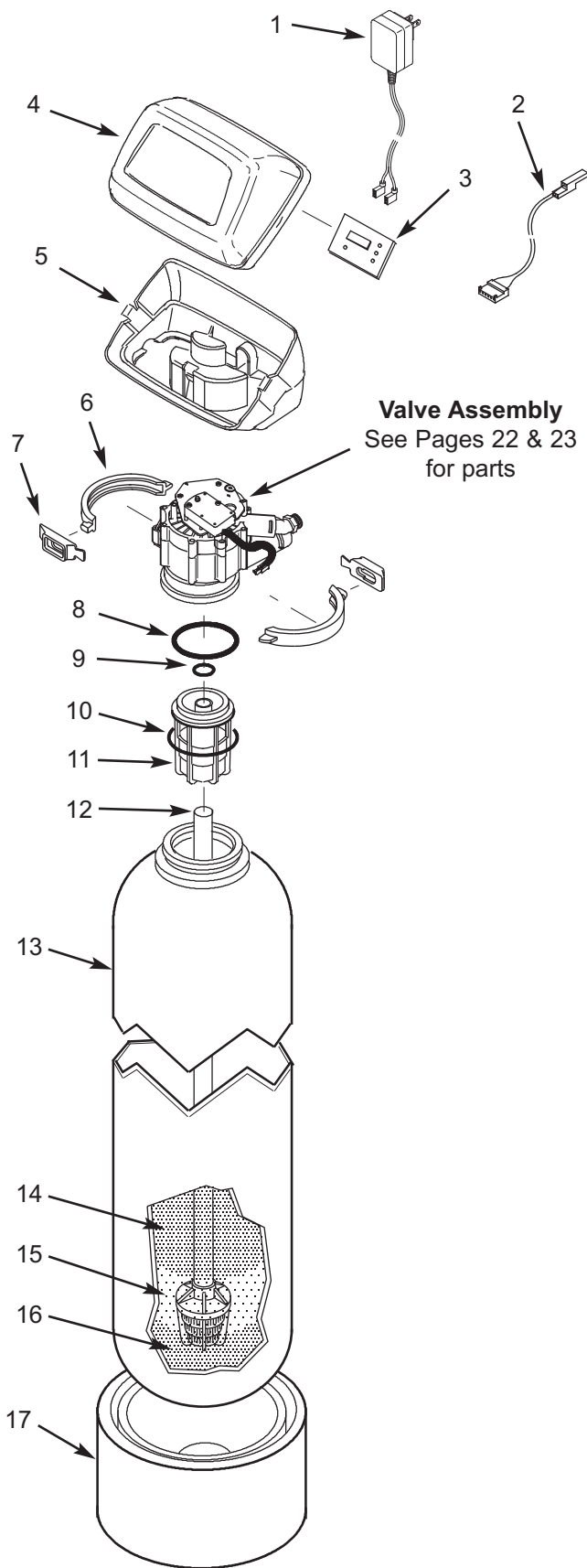
- a. Press the Δ UP button to display the number of days this electronic control has had electrical power applied.
 - b. Press the ∇ DOWN button to display the number of recharges initiated by this electronic control since the model code number was entered.
5. Press the SELECT button and hold in for 3 seconds until the model code shows in the display. This code identifies the filter model. If the wrong number shows (see table on page 3), the filter will operate on incorrect configuration data.
 6. To change the code number - Press the Δ UP or ∇ DOWN button until the correct code shows.
 7. To return to the present time display, press the SELECT button. **If the model code was changed, make all timer settings.**

NOTE: If the electronic control is left in a diagnostic display (or a flashing display when setting times or hardness), present time automatically returns if a button is not pressed within 4 minutes.

Troubleshooting



Filter Assembly Parts

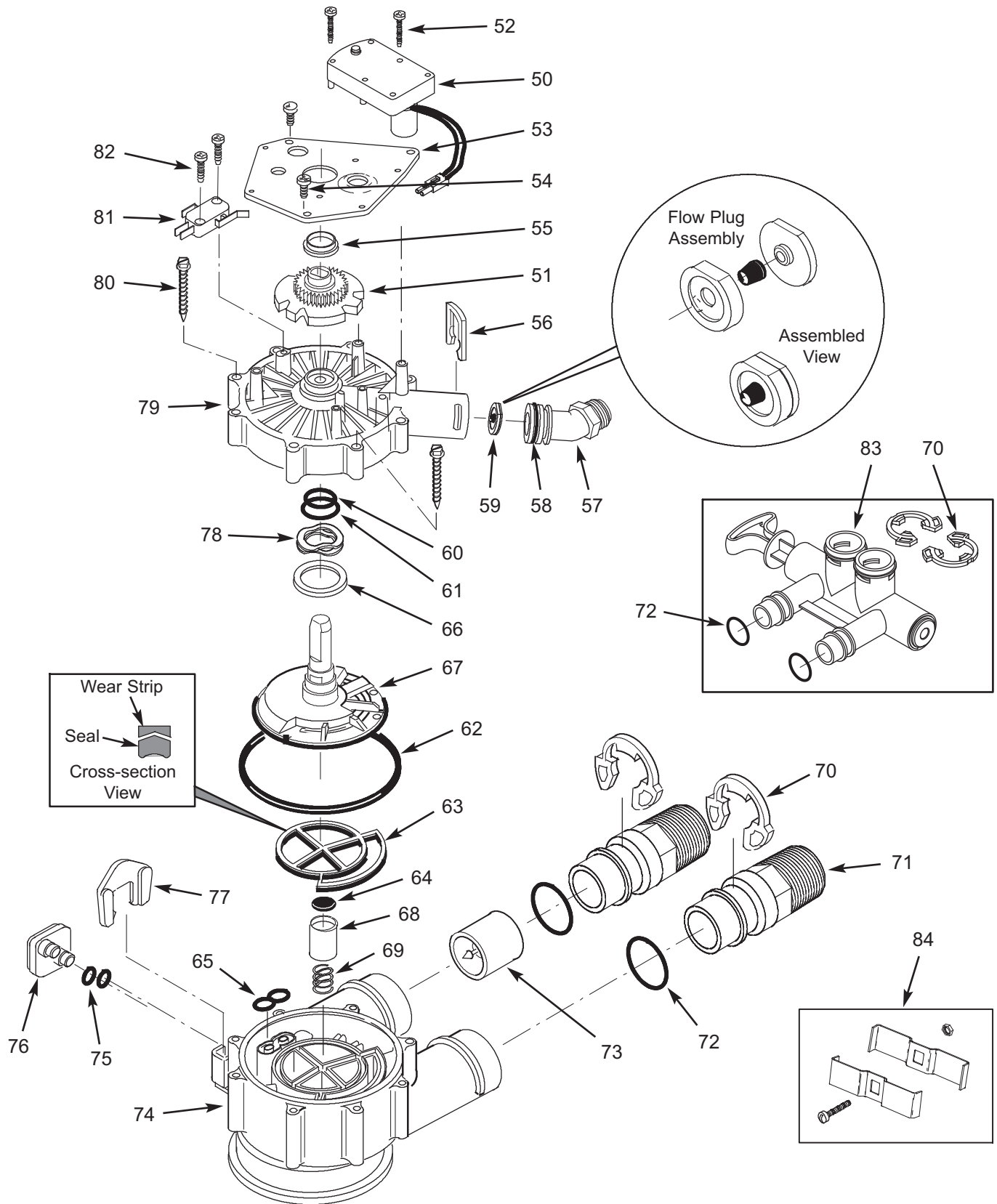


Key No.	Part No.	Description
1	7351054	Power Supply, 24V DC
2	7259927	Wire Harness
3	7366685	Repl. Timer (PWA)
4	7260554	Top Cover (order decal below)
■	7285279	Decal, Filter
5	7189449	Bottom Cover
-	7331177	Tank Neck Clamp Kit (includes Key Nos. 6 & 7)
6	↑	Clamp Section (2 req.)
7	↑	Retainer Clip (2 req.)
-	7112963	Distributor O-Ring Kit (includes Key Nos. 8-10)
8	↑	O-Ring, 2-7/8" x 3-1/4"
9	↑	O-Ring, 13/16" x 1-1/16"
10	↑	O-Ring, 2-3/4" x 3"
11	7088855	Top Distributor
12	7105047	Repl. Bottom Distributor
13	7092202	Mineral Tank, 10" x 47"
	7113074	Mineral Tank, 12" x 54"
14	7339141	Catalytic Carbon, 1 cu. ft. (Chloramine, Chlorine Taste, Odor & Sediment Filter)
	7161912	Neutralite, 1/2 cu. ft. bag (Water Neutralizer)
15	0501783	Filter Sand, 10 lbs.
16	7124415	Gravel, 17 lbs.
17	7302039	Tank Foot, 10" Tank
	7339222	Tank Foot, 12" Tank

■ Not illustrated.

Manufactured and warranted by
 Ecodyne Water Systems
 1890 Woodlane Drive
 Woodbury, MN 55125

Valve Exploded View



Valve Parts List

Key No.	Part No.	Description
–	7373828	Motor, Cam & Gear Kit, 1" (includes Key Nos. 50-52)
50	↑	Motor
51	↑	Cam & Gear
52	7224087	Screw, #8-32 x 1" (2 req.)
53	7231393	Motor Plate
54	0900857	Screw, #6-20 x 3/8" (3 req.)
55	7171250	Bearing
–	7331711	Drain Hose Adaptor Kit, 10" dia. APF (includes Key Nos. 56-59)
	7331729	Drain Hose Adaptor Kit, 12" dia. APF (includes Key Nos. 56-59)
56	↑	Clip, Drain
57	↑	Drain Hose Adaptor
58	↑	O-Ring, 15/16" x 1-3/16"
59	↑	Flow Plug, 5.0 gpm (10" dia. APF)
	↑	Flow Plug, 7.0 gpm (12" dia. APF)
–	7185487	Seal Kit (includes Key Nos. 60-65)
60	↑	O-Ring, 5/8" x 13/16"
61	↑	O-Ring, 1-1/8" x 1-1/2"
62	↑	O-Ring, 4-1/2" x 4-7/8"
63	↑	Rotor Seal
64	↑	Seal
65	↑	Seal, Nozzle & Venturi
66	7174313	Bearing, Wave Washer
67	7185500	Rotor & Disc

Key No.	Part No.	Description
–	7342712	Drain Plug Kit, 1" (includes Key Nos. 64, 68 & 69)
68	↑	Plug, Drain Seal
69	↑	Spring
70	7089306	Clip, 1", single (2 req.)
	7336428	Clip, 1", pack of 20
71	7271204	Installation Adaptor, 1", single
	7336614	Installation Adaptor, 1", pack of 10
72	7311127	O-Ring, 1-1/16" x 1-5/16", single (2 req.)
	7336410	O-Ring, 1-1/16" x 1-5/16", pack of 20
73	7078240	Support
74	7171145	Valve Body
75	7342649	O-Ring, 1/4" x 3/8", pack of 2
76	7100940	Plug
77	7081201	Retainer
78	7175199	Wave Washer
79	7171161	Valve Cover
80	7342681	Screw, #10 x 2-5/8", pack of 8
81	7305150	Switch
82	7140738	Screw, #4-24 x 3/4" (2 req.)
83	7214383	Bypass Valve Assembly, 1", including 2 ea. Clips & O-Rings (See Key Nos. 70 & 72)
84	7248706	Ground Clamp Kit *

* Not included with the system.

Manufactured and warranted by
Ecodyne Water Systems
1890 Woodlane Drive
Woodbury, MN 55125

WATER FILTER WARRANTY

Warrantor: Ecodyne Water Conditioning, P.O. Box 64420, St. Paul, MN 55164-0420

Warrantor guarantees, to the original owner, that:

One Year Full Warranty:

- For a period of one (1) year from the date of purchase, all parts will be free from defects in materials and workmanship and will perform their normal functions.

Limited Warranties:

- For a period of ten (10) years from the date of purchase, the fiberglass mineral tank, excluding mineral, will not rust, corrode, leak, burst, or in any other manner, fail to perform their proper functions.
- For a period of three (3) years from the date of purchase, the electronic control board and valve body will be free of defects in materials and workmanship and will perform their normal functions.

If, during such respective period, a part proves to be defective, Warrantor will ship a replacement part directly to your home, without charge.

General Provisions

Damage to any part of this water filter because of misuse, misapplication, neglect, alteration, accident, installation or operation contrary to our printed instructions, or damage caused by any unusual force of nature such as, but not limited to, freezing, flood, hurricane, tornado, or earthquake is not covered by this warranty. In all such cases, regular parts and service charges will apply.

We assume no warranty liability in connection with this water filter other than specified herein. This warranty is in lieu of all other warranties, expressed or implied, including warranties of fitness for a particular purpose. We do not authorize any person or representative to assume for us any other obligations on the sale of this water filter.

Should a defect or malfunction occur, contact your contractor. If you are unable to contact your contractor, return the part, freight prepaid, directly to the factory at the address below. Enclose with the part a full description of the problem, with your name, full address, date purchased, model and serial numbers, and selling contractor's name and address. We will repair or replace the part and return it to you at no cost if our repair department determines it to be defective under the terms of the warranty.

This warranty gives you specific legal rights and you may have other rights which vary from state to state.

This water filter is manufactured by
Ecodyne Water Conditioning, P.O. Box 64420, St. Paul, MN 55164-0420

Customer Information Telephone No. 1-800-972-0136