

North Star Water Treatment Systems **PROFESSIONAL ADVANTAGE** COMMERCIAL SERIES WATER SOFTENERS – 2" VALVE

NOTE: All models shipped unassembled. Shipping weights are approximate.

| | | |
|---|--|---|
| <p>PA102S - 440# PA132S - 500#</p> <p>VALVE 7239812 CONTROLLER 7362982 DISTRIBUTOR ASM. 7243625 ASPIRATOR 7362356 RESIN TANK 17" x 58" 7149994 BRINE LINE KIT 7190301 1000# ROUND BRINE TANK 24" x 50" 7202027</p> | <p>LITERATURE KIT 7364227</p> <p>GRAVEL (2)* 7124423 (1) 50 lbs. 7127073 (1) 50 lbs.</p> <p>RESIN* 0502272 102 - (3) 1 cu. ft. 132 - (4) 1 cu. ft.</p> <p>*Duplex models use 2x amounts *Triplex models use 3x amounts *Quadplex models use 4x amounts</p> | <p>PA102D - 850# PA132D - 960#</p> <p>VALVE (2) 7239812 CONTROLLER 7362982 DISTRIBUTOR ASM. (2) 7243625 ASPIRATOR (2) 7362356 RESIN TANK (2) 17" x 58" 7149994 BRINE LINE KIT 7239935 1000# ROUND BRINE TANK 24" x 50" 7202027</p> |
| <p>PA102T - 1290# PA132T - 1450#</p> <p>VALVE (3) 7239812 CONTROLLER 7362982 BRINE LINE KITS 7190301 7239935 DISTRIBUTOR ASM. (3) 7243625 ASPIRATOR (3) 7362356 RESIN TANK (3) 17" x 58" 7149994 1000# ROUND BRINE TANK (2) 24" x 50" 7202027</p> | <p>ASPIRATOR (4) 7362356</p> <p>DISTRIBUTOR ASM. (4) 7243625</p> <p>1000# ROUND BRINE TANK (2) 24" x 50" 7202027</p> | <p>PA102Q - 1700# PA132Q - 1870#</p> <p>VALVE (4) 7239812 CONTROLLER 7362982 BRINE LINE KITS (2) 7239935 DISTRIBUTOR ASM. (4) 7243625 ASPIRATOR (4) 7362356 RESIN TANK (4) 17" x 58" 7149994 1000# ROUND BRINE TANK (2) 24" x 50" 7202027</p> |
| <p>PA162S - 600#</p> <p>VALVE 7239812 CONTROLLER 7362982 DISTRIBUTOR ASM. 7243625 ASPIRATOR 7362356 RESIN TANK 17" x 72" 7153561 BRINE LINE KIT 7190301 1000# ROUND BRINE TANK 24" x 50" 7202027</p> | <p>LITERATURE KIT 7364227</p> <p>GRAVEL (2)* 7124423 (1) 50 lbs. 7127073 (1) 50 lbs.</p> <p>RESIN (5)* 0502272 1 cu. ft. 1 cu. ft. 1 cu. ft. 1 cu. ft.</p> <p>*Duplex models use 2x amounts *Triplex models use 3x amounts *Quadplex models use 4x amounts</p> | <p>PA162D - 1090#</p> <p>VALVE (2) 7239812 CONTROLLER 7362982 DISTRIBUTOR ASM. (2) 7243625 ASPIRATOR (2) 7362356 RESIN TANK (2) 17" x 72" 7153561 BRINE LINE KIT 7239935 1000# ROUND BRINE TANK 24" x 50" 7202027</p> |
| <p>PA162T - 1640#</p> <p>VALVE (3) 7239812 CONTROLLER 7362982 BRINE LINE KITS 7190301 7239935 DISTRIBUTOR ASM. (3) 7243625 ASPIRATOR (3) 7362356 RESIN TANK (3) 17" x 72" 7153561 1000# ROUND BRINE TANK (2) 24" x 50" 7202027</p> | <p>ASPIRATOR (4) 7362356</p> <p>DISTRIBUTOR ASM. (4) 7243625</p> <p>1000# ROUND BRINE TANK (2) 24" x 50" 7202027</p> | <p>PA162Q - 2130#</p> <p>VALVE (4) 7239812 CONTROLLER 7362982 BRINE LINE KITS (2) 7239935 DISTRIBUTOR ASM. (4) 7243625 ASPIRATOR (4) 7362356 RESIN TANK (4) 17" x 72" 7153561 1000# ROUND BRINE TANK (2) 24" x 50" 7202027</p> |

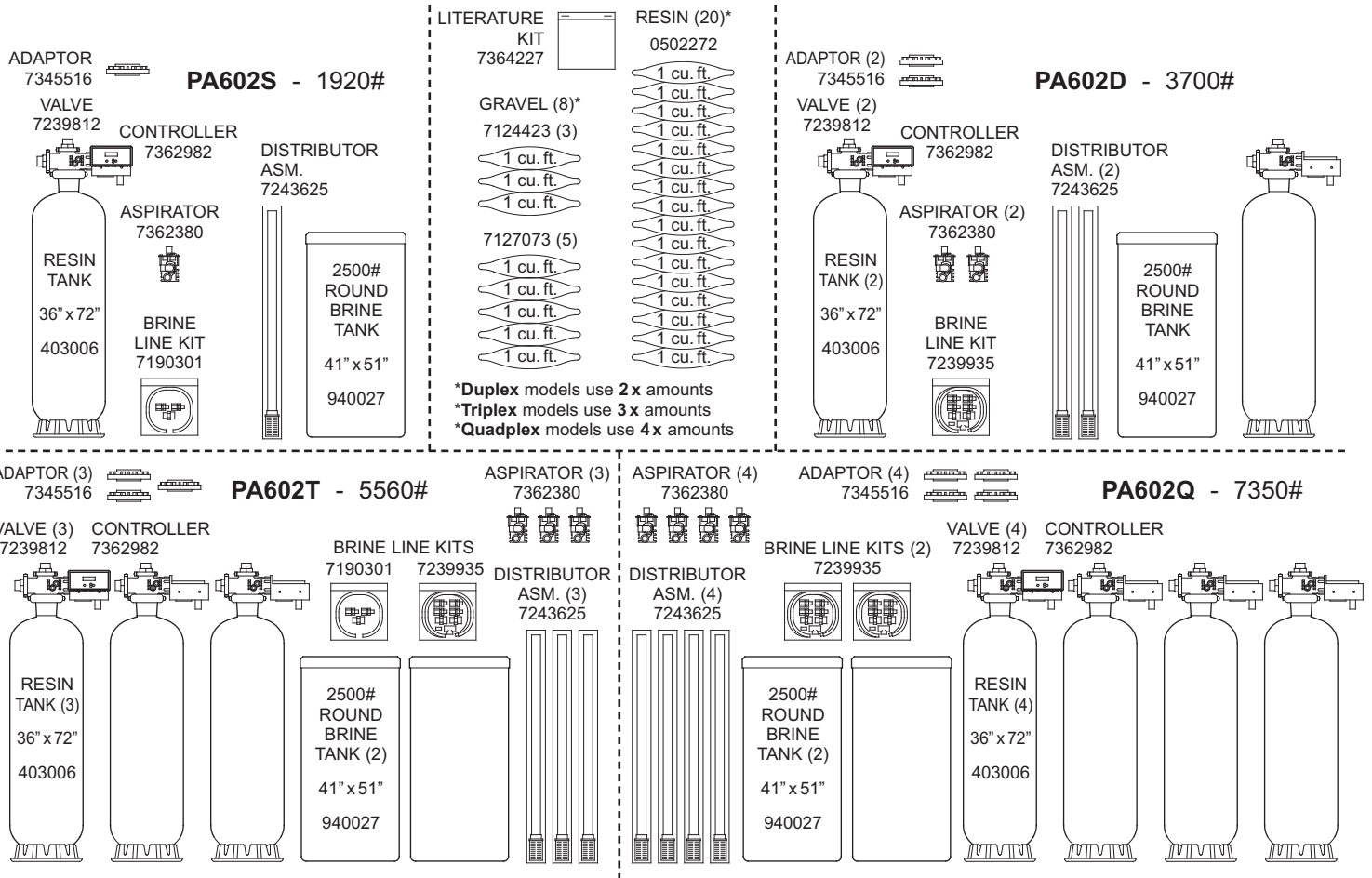
North Star Water Treatment Systems **PROFESSIONAL ADVANTAGE** COMMERCIAL SERIES WATER SOFTENERS – 2" VALVE

NOTE: All models shipped unassembled. Shipping weights are approximate.

| | | |
|---|---|---|
| <p>PA192S - 820# PA252S - 920# PA322S - 1030#</p> <p>VALVE 7239812 CONTROLLER 7362982 DISTRIBUTOR ASM. 7243625 ASPIRATOR 7362364 RESIN TANK 24" x 72" 7298777 BRINE LINE KIT 7190301 1500# ROUND BRINE TANK 31" x 51" 7202035</p> | <p>LITERATURE KIT 7364227</p> <p>RESIN* 0502272 192 - (6) 252 - (8) 322 - (10)</p> <p>GRAVEL (4)* 7124423 (2) 50 lbs. 1 cu. ft. 50 lbs. 1 cu. ft. 7127073 (2) 50 lbs. 1 cu. ft. 50 lbs. 1 cu. ft.</p> <p>*Duplex models use 2x amounts *Triplex models use 3x amounts *Quadplex models use 4x amounts</p> | <p>PA192D - 1490# PA252D - 1710# PA322D - 1920#</p> <p>VALVE (2) 7239812 CONTROLLER 7362982 DISTRIBUTOR ASM. (2) 7243625 ASPIRATOR (2) 7362364 RESIN TANK (2) 24" x 72" 7298777 BRINE LINE KIT 7239935 1500# ROUND BRINE TANK 31" x 51" 7202035</p> |
| <p>PA192T - 2260# PA252T - 2590# PA322T - 2910#</p> <p>VALVE (3) 7239812 CONTROLLER 7362982 DISTRIBUTOR ASM. (3) 7243625 ASPIRATOR (3) 7362364 RESIN TANK (3) 24" x 72" 7298777 BRINE LINE KITS 7190301 7239935 1500# ROUND BRINE TANK (2) 31" x 51" 7202035</p> | <p>ASPIRATOR (4) 7362364 DISTRIBUTOR ASM. (4) 7243625</p> | <p>PA192Q - 2940# PA252Q - 3410# PA322Q - 3840#</p> <p>VALVE (4) 7239812 CONTROLLER 7362982 DISTRIBUTOR ASM. (4) 7243625 ASPIRATOR (4) 7362364 RESIN TANK (4) 24" x 72" 7298777 BRINE LINE KITS (2) 7239935 1500# ROUND BRINE TANK (2) 31" x 51" 7202035</p> |
| <p>PA362S - 1310# PA452S - 1470#</p> <p>ADAPTOR 7345516 VALVE 7239812 CONTROLLER 7362982 DISTRIBUTOR ASM. 7243625 ASPIRATOR 7362372 RESIN TANK 30" x 72" 403007 BRINE LINE KIT 7190301 2500# ROUND BRINE TANK 41" x 51" 940027</p> | <p>LITERATURE KIT 7364227</p> <p>RESIN* 0502272 362 - (12) 452 - (15)</p> <p>GRAVEL (6)* 7124423 (3) 1 cu. ft. 1 cu. ft. 1 cu. ft. 7127073 (3) 1 cu. ft. 1 cu. ft. 1 cu. ft.</p> <p>*Duplex models use 2x amounts *Triplex models use 3x amounts *Quadplex models use 4x amounts</p> | <p>PA362D - 2480# PA452D - 2840#</p> <p>ADAPTOR (2) 7345516 VALVE (2) 7239812 CONTROLLER 7362982 DISTRIBUTOR ASM. (2) 7243625 ASPIRATOR (2) 7362372 RESIN TANK (2) 30" x 72" 403007 BRINE LINE KIT 7239935 2500# ROUND BRINE TANK 41" x 51" 940027</p> |
| <p>PA362T - 3740# PA452T - 4270#</p> <p>ADAPTOR (3) 7345516 VALVE (3) 7239812 CONTROLLER 7362982 DISTRIBUTOR ASM. (3) 7243625 ASPIRATOR (3) 7362372 RESIN TANK (3) 30" x 72" 403007 BRINE LINE KITS 7190301 7239935 2500# ROUND BRINE TANK (2) 41" x 51" 940027</p> | <p>ASPIRATOR (4) 7362372 DISTRIBUTOR ASM. (4) 7243625</p> | <p>PA362Q - 4950# PA452Q - 5640#</p> <p>ADAPTOR (4) 7345516 VALVE (4) 7239812 CONTROLLER 7362982 DISTRIBUTOR ASM. (4) 7243625 ASPIRATOR (4) 7362372 RESIN TANK (4) 30" x 72" 403007 BRINE LINE KITS (2) 7239935 2500# ROUND BRINE TANK (2) 41" x 51" 940027</p> |

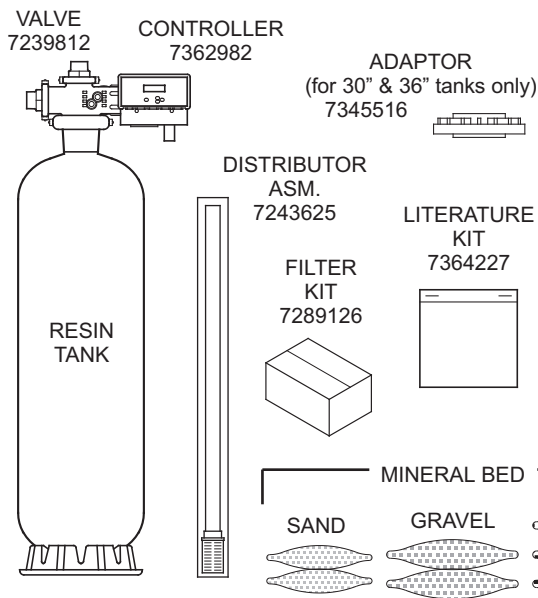
North Star Water Treatment Systems **PROFESSIONAL ADVANTAGE** COMMERCIAL SERIES WATER SOFTENERS – 2" VALVE

NOTE: All models shipped unassembled. Shipping weights are approximate.



North Star Water Treatment Systems PROFESSIONAL ADVANTAGE COMMERCIAL SERIES WATER FILTERS – 2" VALVE

NOTE: All models shipped unassembled. Shipping weights are approximate.



| MODEL | SHIPPING WEIGHT | RESIN TANK | MINERAL BED |
|---------|-----------------|-----------------------|-----------------|
| PA172XS | 252# | 17" x 58" P/N 7149994 | see table below |
| PA242XS | 358# | 24" x 72" P/N 7298777 | |
| PA172CS | 420# | 17" x 58" P/N 7149994 | |
| PA242CS | 770# | 24" x 72" P/N 7298777 | |
| PA302CS | 1185# | 30" x 72" P/N 0403007 | |
| PA362CS | 1490# | 36" x 72" P/N 0403006 | |
| PA172MS | 560# | 17" x 58" P/N 7149994 | |
| PA242MS | 1060# | 24" x 72" P/N 7298777 | |
| PA302MS | 1620# | 30" x 72" P/N 0403007 | |
| PA172GS | 660# | 17" x 58" P/N 7149994 | |
| PA242GS | 1160# | 24" x 72" P/N 7298777 | |
| PA302GS | 1780# | 30" x 72" P/N 0403007 | |

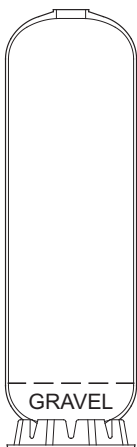
| MODEL | GRAVEL 7124423 | | FILTER SAND 0993080 | | ACTIVATED CARBON 3424509 | MANGANESE GREENSAND 7331101 | ANTHRACITE 0993070 | | GARNET 0993090 | |
|---------|--------------------|------|---------------------|------|--------------------------|-----------------------------|--------------------|------|----------------|------|
| | lbs. | bags | lbs. | bags | 1 cu. ft. bags | 1/2 cu. ft. bags | lbs. | bags | lbs. | bags |
| | Mineral Bed | | | | | | | | | |
| PA172XS | 100 | 2 | - | - | - | - | - | - | - | - |
| PA242XS | 150 | 3 | - | - | - | - | - | - | - | - |
| PA172CS | 100 | 2 | - | - | 4 | - | - | - | - | - |
| PA242CS | 150 | 3 | - | - | 10 | - | - | - | - | - |
| PA302CS | 250 | 5 | - | - | 15 | - | - | - | - | - |
| PA362CS | 300 | 6 | - | - | 20 | - | - | - | - | - |
| PA172MS | 100 | 2 | 100 | 2 | - | - | 156 | 3 | 50 | 1 |
| PA242MS | 150 | 3 | 250 | 5 | - | - | 312 | 6 | 150 | 3 |
| PA302MS | 250 | 5 | 350 | 7 | - | - | 520 | 10 | 200 | 4 |
| PA172GS | 100 | 2 | - | - | - | 6 | 78* | 2* | 50 | 1 |
| PA242GS | 150 | 3 | - | - | - | 12 | 156 | 3 | 150 | 3 |
| PA302GS | 250 | 5 | - | - | - | 18 | 260 | 5 | 200 | 4 |

*1-1/2 of the 2 bags included are used.

BEDDING SEQUENCE OF GRAVEL & MINERALS

NOTE: Be sure distributor assembly is centered in tank before filling.

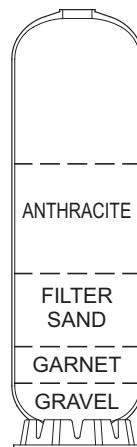
NO MEDIA
(GRAVEL ONLY) FILTERS



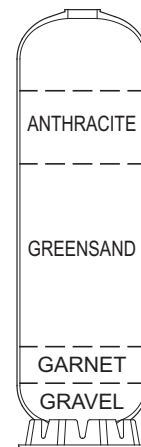
CARBON FILTERS



MULTI-MEDIA FILTERS

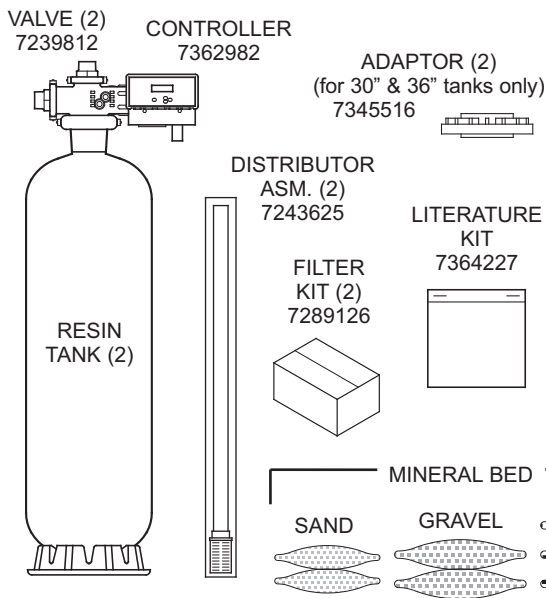


GREENSAND FILTERS



North Star Water Treatment Systems PROFESSIONAL ADVANTAGE COMMERCIAL SERIES WATER FILTERS – 2" VALVE

NOTE: All models shipped unassembled. Shipping weights are approximate.



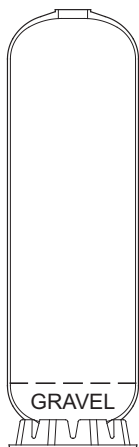
| MODEL | SHIPPING WEIGHT | RESIN TANK | MINERAL BED |
|---------|-----------------|-----------------------|-----------------|
| PA172XD | 494# | 17" x 58" P/N 7149994 | see table below |
| PA242XD | 680# | 24" x 72" P/N 7298777 | |
| PA172CD | 830# | 17" x 58" P/N 7149994 | |
| PA242CD | 1570# | 24" x 72" P/N 7298777 | |
| PA302CD | 2320# | 30" x 72" P/N 0403007 | |
| PA362CD | 2930# | 36" x 72" P/N 0403006 | |
| PA172MD | 1110# | 17" x 58" P/N 7149994 | |
| PA242MD | 2110# | 24" x 72" P/N 7298777 | |
| PA302MD | 3200# | 30" x 72" P/N 0403007 | |
| PA172GD | 1260# | 17" x 58" P/N 7149994 | |
| PA242GD | 2320# | 24" x 72" P/N 7298777 | |
| PA302GD | 3510# | 30" x 72" P/N 0403007 | |

| MODEL | GRAVEL 7124423 | | FILTER SAND 0993080 | | ACTIVATED CARBON 3424509 | MANGANESE GREENSAND 7331101 | ANTHRACITE 0993070 | | GARNET 0993090 | |
|---------|-------------------|------|------------------------|------|--------------------------------|-----------------------------------|-----------------------|------|-------------------|------|
| | lbs. | bags | lbs. | bags | 1 cu. ft. bags | 1/2 cu. ft. bags | lbs. | bags | lbs. | bags |
| PA172XD | 200 | 4 | – | – | – | – | – | – | – | – |
| PA242XD | 300 | 6 | – | – | – | – | – | – | – | – |
| PA172CD | 200 | 4 | – | – | 8 | – | – | – | – | – |
| PA242CD | 300 | 6 | – | – | 20 | – | – | – | – | – |
| PA302CD | 500 | 10 | – | – | 30 | – | – | – | – | – |
| PA362CD | 600 | 12 | – | – | 40 | – | – | – | – | – |
| PA172MD | 200 | 4 | 200 | 4 | – | – | 312 | 6 | 100 | 2 |
| PA242MD | 300 | 6 | 500 | 10 | – | – | 624 | 12 | 300 | 6 |
| PA302MD | 500 | 10 | 700 | 14 | – | – | 1040 | 20 | 400 | 8 |
| PA172GD | 200 | 4 | – | – | – | 12 | 156 | 3 | 100 | 2 |
| PA242GD | 300 | 6 | – | – | – | 24 | 312 | 6 | 300 | 6 |
| PA302GD | 500 | 10 | – | – | – | 36 | 520 | 10 | 400 | 8 |

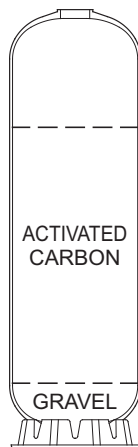
BEDDING SEQUENCE OF GRAVEL & MINERALS

NOTE: Be sure distributor assembly is centered in tank before filling.

NO MEDIA
(GRAVEL ONLY) FILTERS



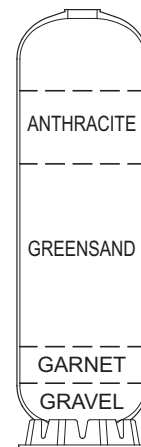
CARBON FILTERS



MULTI-MEDIA FILTERS

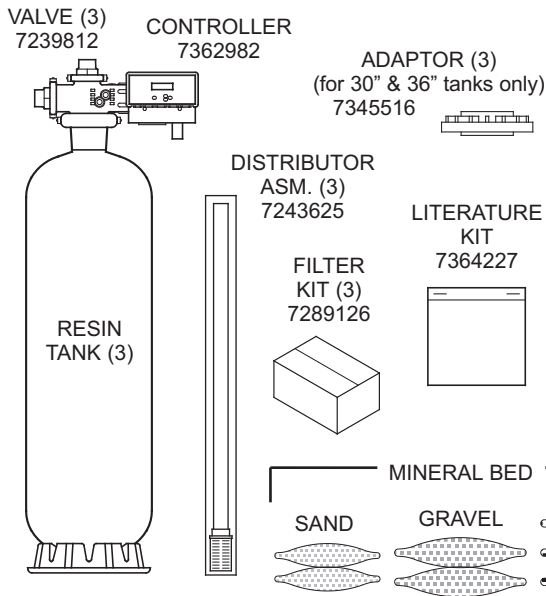


GREENSAND FILTERS



North Star Water Treatment Systems PROFESSIONAL ADVANTAGE COMMERCIAL SERIES WATER FILTERS – 2" VALVE

NOTE: All models shipped unassembled. Shipping weights are approximate.



| MODEL | SHIPPING WEIGHT | RESIN TANK | MINERAL BED |
|---------|-----------------|-----------------------|-----------------|
| PA172XT | 746# | 17" x 58" P/N 7149994 | see table below |
| PA242XT | 1060# | 24" x 72" P/N 7298777 | |
| PA172CT | 1250# | 17" x 58" P/N 7149994 | |
| PA242CT | 2320# | 24" x 72" P/N 7298777 | |
| PA302CT | 3500# | 30" x 72" P/N 0403007 | |
| PA362CT | 4410# | 36" x 72" P/N 0403006 | |
| PA172MT | 1660# | 17" x 58" P/N 7149994 | |
| PA242MT | 3200# | 24" x 72" P/N 7298777 | |
| PA302MT | 4823# | 30" x 72" P/N 0403007 | |
| PA172GT | 1920# | 17" x 58" P/N 7149994 | |
| PA242GT | 3480# | 24" x 72" P/N 7298777 | |
| PA302GT | 5340# | 30" x 72" P/N 0403007 | |

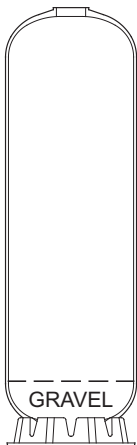
| MODEL | GRAVEL 7124423 | | FILTER SAND 0993080 | | ACTIVATED CARBON 3424509 | MANGANESE GREENSAND 7331101 | ANTHRACITE 0993070 | | GARNET 0993090 | |
|---------|--------------------|------|------------------------|------|--------------------------------|-----------------------------------|-----------------------|------|-------------------|------|
| | lbs. | bags | lbs. | bags | 1 cu. ft. bags | 1/2 cu. ft. bags | lbs. | bags | lbs. | bags |
| | Mineral Bed | | | | | | | | | |
| PA172XT | 300 | 6 | – | – | – | – | – | – | – | – |
| PA242XT | 450 | 9 | – | – | – | – | – | – | – | – |
| PA172CT | 300 | 6 | – | – | 12 | – | – | – | – | – |
| PA242CT | 450 | 9 | – | – | 30 | – | – | – | – | – |
| PA302CT | 750 | 15 | – | – | 45 | – | – | – | – | – |
| PA362CT | 900 | 18 | – | – | 60 | – | – | – | – | – |
| PA172MT | 300 | 6 | 300 | 6 | – | – | 468 | 9 | 150 | 3 |
| PA242MT | 450 | 9 | 750 | 15 | – | – | 936 | 18 | 450 | 9 |
| PA302MT | 750 | 15 | 1050 | 21 | – | – | 1560 | 30 | 600 | 12 |
| PA172GT | 300 | 6 | – | – | – | 18 | 234* | 5* | 150 | 3 |
| PA242GT | 450 | 9 | – | – | – | 36 | 468 | 9 | 450 | 9 |
| PA302GT | 750 | 15 | – | – | – | 54 | 780 | 15 | 600 | 12 |

*4-1/2 of the 5 bags included are used.

BEDDING SEQUENCE OF GRAVEL & MINERALS

NOTE: Be sure distributor assembly is centered in tank before filling.

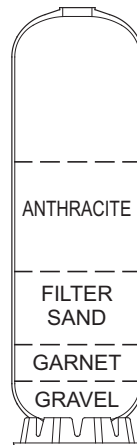
NO MEDIA
(GRAVEL ONLY) FILTERS



CARBON FILTERS



MULTI-MEDIA FILTERS

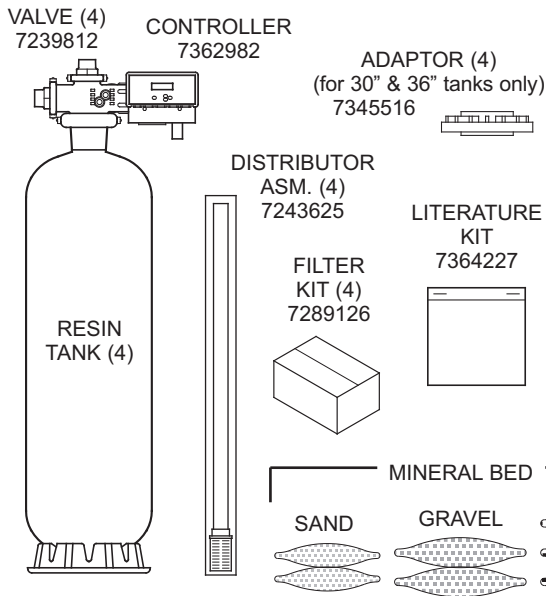


GREENSAND FILTERS



North Star Water Treatment Systems PROFESSIONAL ADVANTAGE COMMERCIAL SERIES WATER FILTERS – 2" VALVE

NOTE: All models shipped unassembled. Shipping weights are approximate.



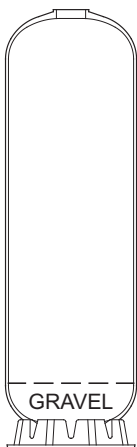
| MODEL | SHIPPING WEIGHT | RESIN TANK | MINERAL BED |
|---------|-----------------|-----------------------|-----------------|
| PA172XQ | 988# | 17" x 58" P/N 7149994 | see table below |
| PA242XQ | 1370# | 24" x 72" P/N 7298777 | |
| PA172CQ | 2080# | 17" x 58" P/N 7149994 | |
| PA242CQ | 3050# | 24" x 72" P/N 7298777 | |
| PA302CQ | 4740# | 30" x 72" P/N 0403007 | |
| PA362CQ | 5940# | 36" x 72" P/N 0403006 | |
| PA172MQ | 2210# | 17" x 58" P/N 7149994 | |
| PA242MQ | 4250# | 24" x 72" P/N 7298777 | |
| PA302MQ | 6360# | 30" x 72" P/N 0403007 | |
| PA172GQ | 2520# | 17" x 58" P/N 7149994 | |
| PA242GQ | 4670# | 24" x 72" P/N 7298777 | |
| PA302GQ | 6980# | 30" x 72" P/N 0403007 | |

| MODEL | GRAVEL 7124423 | | FILTER SAND 0993080 | | ACTIVATED CARBON 3424509 | MANGANESE GREENSAND 7331101 | ANTHRACITE 0993070 | | GARNET 0993090 | |
|---------|-------------------|------|------------------------|------|--------------------------------|-----------------------------------|-----------------------|------|-------------------|------|
| | lbs. | bags | lbs. | bags | 1 cu. ft. bags | 1/2 cu. ft. bags | lbs. | bags | lbs. | bags |
| PA172XQ | 400 | 8 | - | - | - | - | - | - | - | - |
| PA242XQ | 600 | 12 | - | - | - | - | - | - | - | - |
| PA172CQ | 400 | 8 | - | - | 16 | - | - | - | - | - |
| PA242CQ | 600 | 12 | - | - | 40 | - | - | - | - | - |
| PA302CQ | 1000 | 20 | - | - | 60 | - | - | - | - | - |
| PA362CQ | 1200 | 24 | - | - | 80 | - | - | - | - | - |
| PA172MQ | 400 | 8 | 400 | 8 | - | - | 624 | 12 | 200 | 4 |
| PA242MQ | 600 | 12 | 1000 | 20 | - | - | 1248 | 24 | 600 | 12 |
| PA302MQ | 1000 | 20 | 1400 | 28 | - | - | 2080 | 40 | 800 | 16 |
| PA172GQ | 400 | 8 | - | - | - | 24 | 312 | 6 | 200 | 4 |
| PA242GQ | 600 | 12 | - | - | - | 48 | 624 | 12 | 600 | 12 |
| PA302GQ | 1000 | 20 | - | - | - | 72 | 1040 | 20 | 800 | 16 |

BEDDING SEQUENCE OF GRAVEL & MINERALS

NOTE: Be sure distributor assembly is centered in tank before filling.

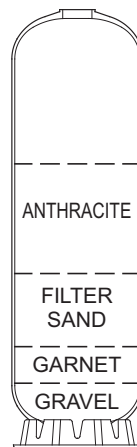
NO MEDIA
(GRAVEL ONLY) FILTERS



CARBON FILTERS



MULTI-MEDIA FILTERS



GREENSAND FILTERS



North Star Water Treatment Systems **PROFESSIONAL ADVANTAGE** **COMMERCIAL SERIES – 2” VALVE**

| Media | | |
|---------------------|-------------|---------------|
| | Part Number | Weight (lbs.) |
| Resin | 0502272 | 53 |
| Gravel, Quartz | 7124415 | 17 |
| | 7124423 | 50 |
| Gravel, Medium | 7127073 | 50 |
| Anthracite | 0993070 | 52 |
| Garnet | 0993090 | 50 |
| Sand, Filter | 0993080 | 50 |
| Carbon, Activated | 3424509 | 42 |
| Manganese Greensand | 7331101 | 44 |

| Accessories | |
|--|-------------|
| | Part Number |
| External No Hard Water Shutoff Kit, 2” Valve, DC | 7362225 |
| Piston Plug, 2” Valve | 7207750 |
| Grip Ring for Above | 7192769 |