



NORTH STARTM
WATER TREATMENT SYSTEMS

Model NSDW300

How to install, operate and
maintain your Undersink Full
Flow Water Filtration System

Do not return unit to store

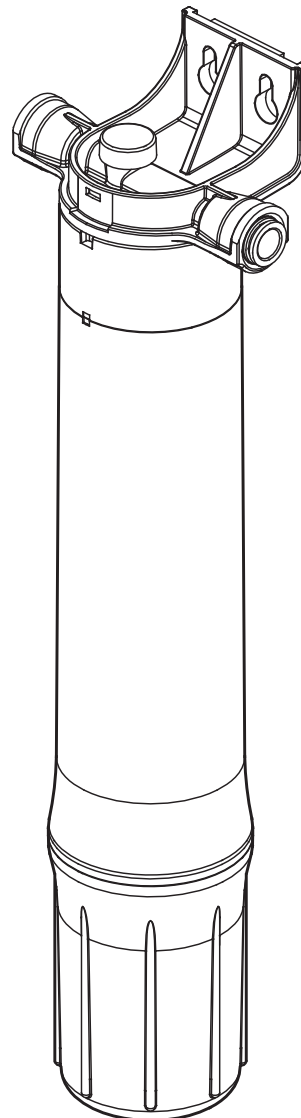
If you have any questions or concerns when
installing, operating or maintaining your water
filtration system, call our toll free number:

1-800-972-0135

Monday- Friday, 7 AM - 6 PM CST or visit

www.northstarwater.com

When you call, please be prepared to provide
the model number and date code of
your product, found on the filter head.



System tested and certified by NSF International
against NSF/ANSI Standards 42 & 53.
See performance data on page 9 for details.



Designed, Engineered &
Assembled in the U.S.A.

Manufactured and warranted by
North Star Water Treatment Systems
1890 Woodlane Drive
Woodbury, MN 55125

201-8404063 (Rev. 00 12/2/16)

Installation and Operation Manual

TABLE OF CONTENTS

	<u>Page</u>
Before You Start	3
Specifications & Dimensions	3
Parts & Tools	4
Typical Undersink Installation	4
Installation Instructions	5-6
Step A - Install Water Supply Fittings	5
Step B - Make Tubing Connections	5-6
Step C - Install the Filter Cartridge	6
Step D - Turn On Water, Check for Leaks and Rinse Carbon Fines	6
Filter Cartridges	7
Filter Cartridge Life	7
Filter Cartridge Replacement	7
Troubleshooting the System	8
Exploded View & Parts List	8

WARRANTY

ONE YEAR LIMITED WARRANTY ON UNDERSINK FULL FLOW WATER FILTRATION SYSTEM (except filter cartridges)

Warrantor: North Star Water Treatment Systems, 1890 Woodlane Drive, Woodbury, MN 55125

Warrantor guarantees, to the original owner, that the Undersink Full Flow Water Filtration System, when installed and maintained in accordance with the instructions, will be free from defects in materials and workmanship for a period of one (1) year from the date of purchase. If, within the first year, a part proves, after inspection, to be defective, Warrantor will, at its sole option, either replace or repair the part without charge except normal shipping and installation charges. Labor to maintain the equipment is not part of the warranty. Filters, which are expendable, are not covered by the warranty.

TO OBTAIN WARRANTY PARTS, SIMPLY CALL 1-800-972-0135, Monday - Friday, 7 am - 6 pm CST, for assistance.

General Provisions

The above warranties are effective provided the Undersink Full Flow Water Filtration System is operated at water pressures not exceeding 100 psi, and at water temperatures not exceeding 100°F; provided further that the Undersink Full Flow Water Filtration System is not subject to abuse, misuse, alteration, neglect, freezing, accident or negligence; and provided further that the Undersink Full Flow Water Filtration System is not damaged as the result of any unusual force of nature such as, but not limited to, flood, hurricane, tornado or earthquake. Warrantor is excused if failure to perform its warranty obligations is the result of strikes, government regulation, materials shortages, or other circumstances beyond its control.

THERE ARE NO WARRANTIES ON THE UNDERSINK FULL FLOW WATER FILTRATION SYSTEM BEYOND THOSE SPECIFICALLY DESCRIBED ABOVE. ALL IMPLIED WARRANTIES, INCLUDING ANY IMPLIED WARRANTY OF MERCHANTABILITY OR OF FITNESS FOR A PARTICULAR PURPOSE, ARE DISCLAIMED TO THE EXTENT THEY MIGHT EXTEND BEYOND THE ABOVE PERIODS. THE SOLE OBLIGATION OF WARRANTOR UNDER THESE WARRANTIES IS TO REPLACE OR REPAIR THE COMPONENT OR PART WHICH PROVES TO BE DEFECTIVE WITHIN THE SPECIFIED TIME PERIOD, AND WARRANTOR IS NOT LIABLE FOR CONSEQUENTIAL OR INCIDENTAL DAMAGES. NO WARRANTOR DEALER, AGENT, REPRESENTATIVE, OR OTHER PERSON IS AUTHORIZED TO EXTEND OR EXPAND THE WARRANTIES EXPRESSLY DESCRIBED ABOVE.

Some states do not allow limitations on how long an implied warranty lasts or exclusions or limitations of incidental or consequential damage, so the limitations and exclusions in this warranty may not apply to you. This warranty gives you specific legal rights, and you may have other rights which vary from state to state. This warranty applies to consumer-owned installations only.

Before You Start

- ▼ Read all steps and guides carefully before installing and using your undersink full flow water filtration system. Follow all steps exactly to correctly install. Reading this manual will also help you to get all the benefits from the filtration system.
- ▼ Do not use with water that is microbiologically unsafe or of unknown quality without adequate disinfection before or after the system. This system is certified for cyst reduction and may be used on disinfected waters that may contain filterable cysts.
- ▼ All plumbing should be done in accordance with local codes and requirements. In Massachusetts, plumbing code 248 CMR 3.00 and 10.00 shall be adhered to. Consult with your licensed plumber.
- ▼ The undersink full flow water filtration system works on water pressures of 30 psi (minimum) to 100 psi (maximum). If your house water pressure is over the maximum, install a pressure reducing valve in the water supply pipe to the filtration system.
- ▼ Do not install the filtration system outside, or in extreme hot or cold temperatures. Temperature of the water supply to the filtration system must be between 40°F and 100°F. Do not install on hot water.

Specifications & Dimensions

Supply Water Pressure Min. - Max.	30 - 100 psi (207 - 689 kPa)
Supply Water Temperature Min. - Max.	40 - 100 °F (4 - 38 °C)
Rated Service Flow	2.0 gallons per minute (7.57 liters per minute)
Inlet - Outlet	3/8" quick connect fittings and tubing included

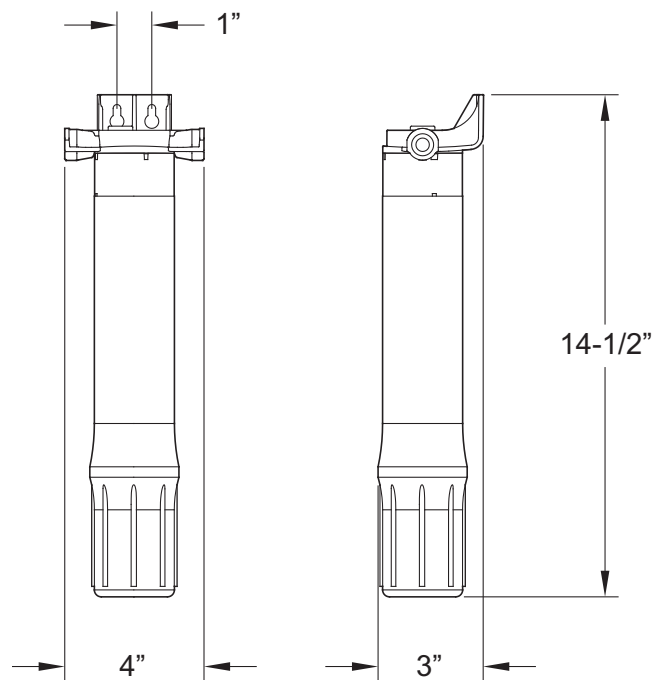


FIG. 1

Questions? Call Toll Free 1-800-972-0135 Monday- Friday, 7 AM - 6 PM CST
or visit www.northstarwater.com

When you call, please be prepared to provide the model number and date code, found on the filter head.

Parts & Tools

Included:

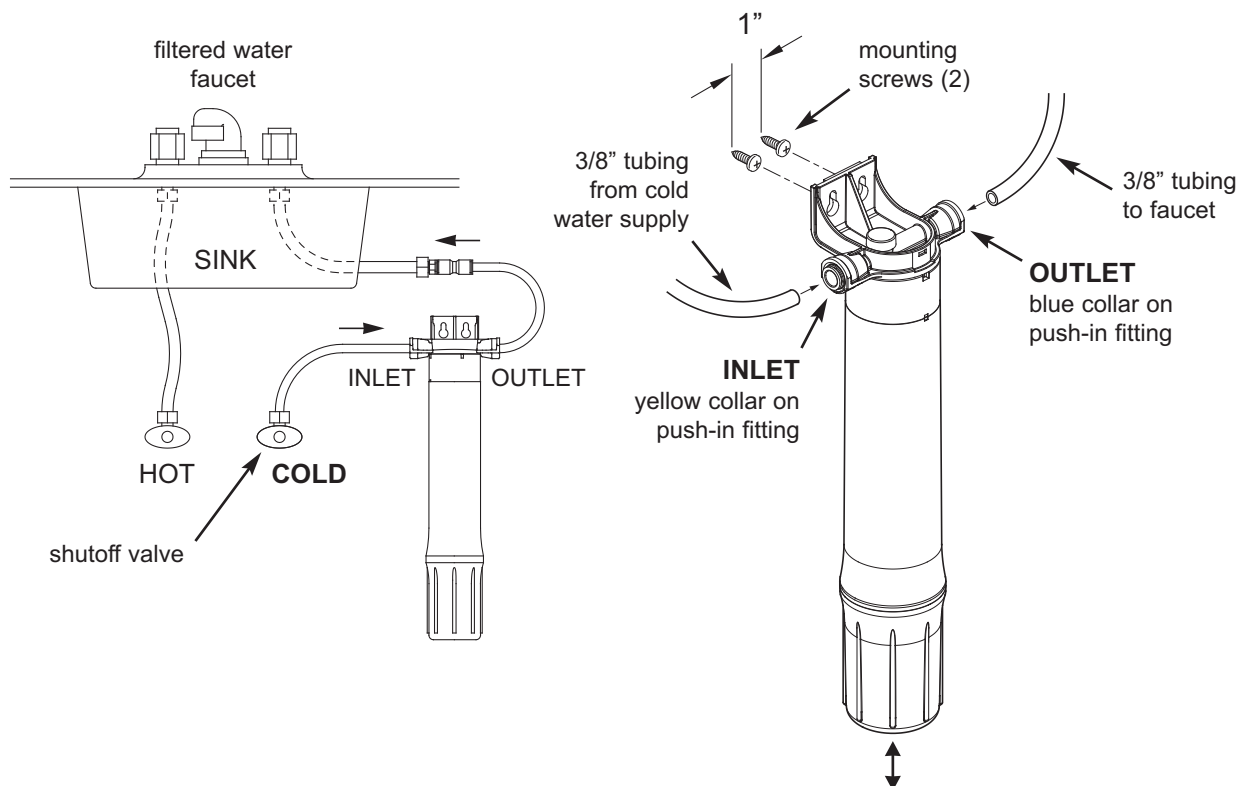
- Filter head, bracket & mounting screws
- Filter cartridge
- Tubing
- Faucet adaptor

Not Included:

- Slotted and Phillips screwdrivers
- Pliers and adjustable jaw wrench
- Tubing cutter
- Electric drill
- Teflon tape

Typical Undersink Installation

Locate the water filter housing on the cold water supply pipe, under the kitchen and/or bathroom sink, to filter the cold water. Refer to the following drawing.



NOTE: Be sure to allow a minimum space of 1-1/2" under the system for removing the filter cartridge to change it.

FIG. 2

Installation Instructions

Step A - Install Water Supply Fittings

Check and **comply with local plumbing codes** as you plan, then install the fittings to connect the undersink filter into the sink's cold water supply line. Fittings (9/16-24 thread) and 3/8" O.D. tubing are included to provide connections to and from the undersink filter's inlet and outlet. A typical connection using the included water supply fittings is shown in Figure 3.

1. **Close the sink's water shut off valve(s)**, or another shut off valve upstream from where you will install the filter, **and open faucets** to relieve pressure from the sink's cold water supply line.
2. Locate the line connecting the cold water shutoff to the sink faucet. Typically this line will be a flexible hose. Disconnect the nut that connects this line to the cold water shutoff. Use a bucket to catch water that drains from this line.
3. Locate one piece of the supplied 3/8" tubing, plus the supplied compression nut, ferrule and tubing insert (See Fig. 3). Assemble the parts onto the tube, as shown in Figure 3, and thread the compression nut onto the cold water shutoff. Tighten to provide a leak-tight connection.
4. Locate the water supply adaptor (supplied) and, using thread sealing tape, install it into the nut on the supply line which you disconnected in Step 2. Refer to Figure 3.
5. Press the stem of the water supply adaptor into one end of the supplied union connector (See Figure 3). Be sure to push the stem all the way in.

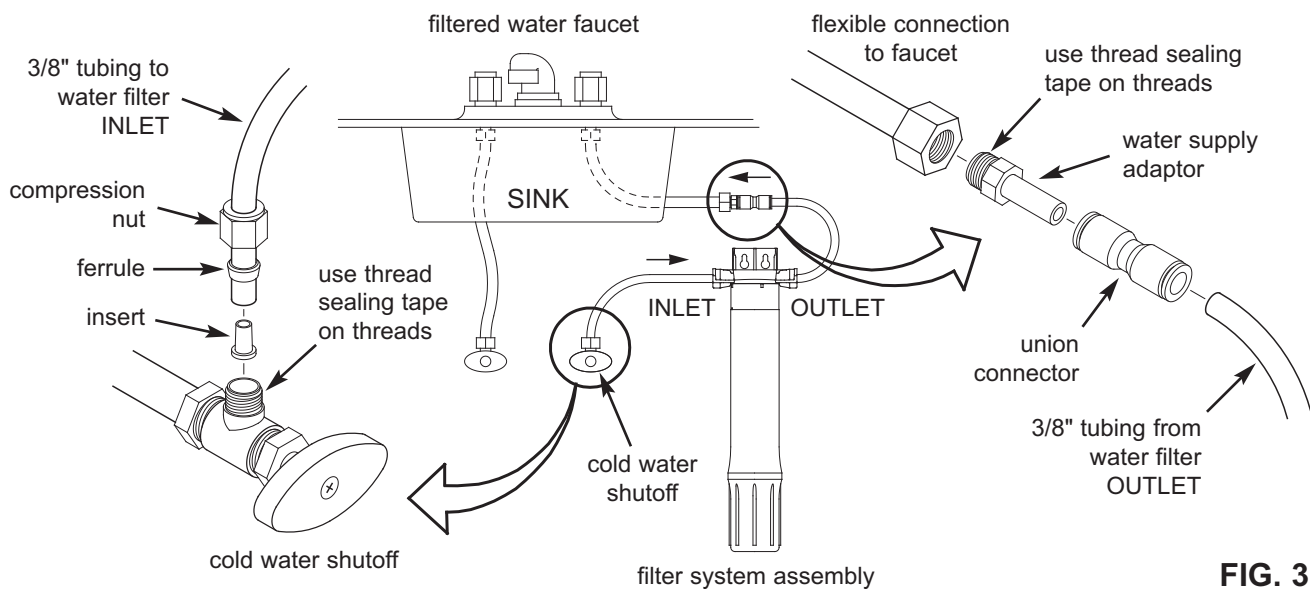


FIG. 3

Step B - Make Tubing Connections

NOTE: Remove protective foam plugs before connecting tubes (See Fig. 4). Discard foam plugs.

1. Locate the piece of supplied 3/8" tubing not used previously. Route it between the union connector and the filter system outlet (See Figures 2 & 3). Allowing some slack, measure and cut to length. Cut the ends of the tubing square.
2. Insert tubing all the way into the union connector and filter system outlet. Pull on the tubing to be sure that it's held firmly in the fittings.
3. Repeat steps 1 and 2 to connect the tube installed on the cold water shutoff to the filter system inlet.

Tubing Connection (all push-in fitting locations):

This system includes push-in fittings for quick tubing connections. When working with the fittings, do the following.

continued on the next page

Installation Instructions

continued from the previous page

Connect Tubing:

1. Use a tube cutter to cut the end of tubing square.
2. Inspect the end (about 1") of the tubing to be sure there are no nicks, scratches or other rough spots. If needed cut the tubing again.
3. Push tubing through the collet and all the way into fitting. Full engagement is 3/4" length of tube into the fitting.

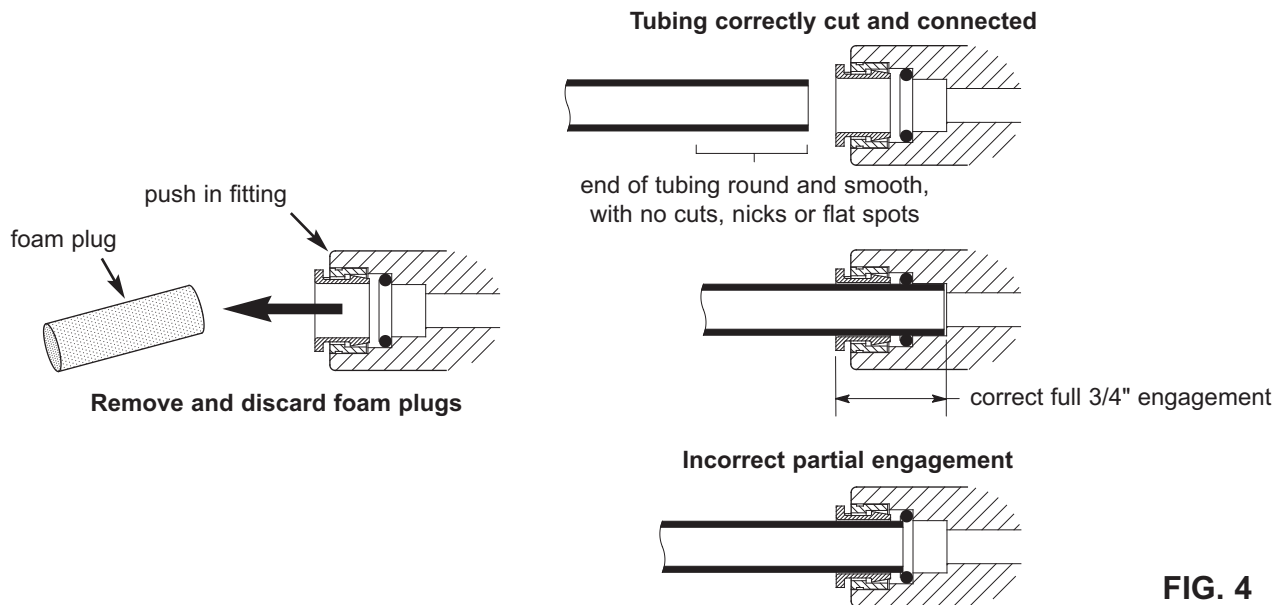


FIG. 4

To Disconnect Tubing:

1. Push the collet inward and hold with a finger while pulling the tubing out.

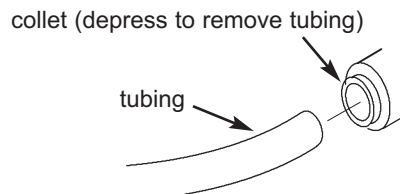


FIG. 5

Step C - Install the Filter Cartridge

1. Remove the small plastic shipping cap from the open end of the filter cartridge.
2. Install the cartridge onto the water filter head assembly, as shown in Figure 6. Turn cartridge to the right to tighten.

Step D - Turn On Water, Check for Leaks and Rinse Carbon Fines

1. Open the shutoff valve(s) that you closed at the beginning of this installation.
2. Open the filtered water faucet to purge air from the system. When the water runs smooth, with no bubbles or spurting, close faucet and check installation for leaks.
3. Open the filtered water faucet and let water run for 10 minutes to rinse out carbon fines.

Filter Cartridges

Filter Cartridge Life

Taste and Odor Cartridges: A taste and odor cartridge contains activated carbon. When new, open the filtered water faucet and allow fine, carbon particles to purge from the cartridge. Flush for 10 minutes. It is recommended to **replace filter cartridge every six months** of use. There are several variables that determine how long a cartridge will last. These include:

1. How much water you use, and
2. How much sediment, taste and/or odor, or other unwanted substance, is in the water.

Use the following information as a guide. However, no matter which type of cartridge you are using, you will know it is time to replace them when you first notice the return of the unwanted sediment, taste and/or odor in your water, or when the flow diminishes or stops.

North Star Undersink Full Flow Water Filtration System model NSDW300 with replacement element 7358284 conforms to NSF/ANSI 42 and 53 for the specific performance claims as verified and substantiated by test data. The rated capacity for this system is 2000 gallons (7570 liters) at a rated service flow of 2.0 gallons per minute (7.57 liters per minute).

Filter Cartridge Replacement

NOTE: There is no need to shut off the water supply when replacing the filter cartridge.

1. Turn filter cartridge to the left to remove cartridge from the filter head.
2. Dispose of the cartridge in a proper manner.
3. Install new cartridge. Turn cartridge to the right to re-attach to the filter head.

Taste and Odor Cartridges: Taste and odor cartridges contain activated carbon, a black powder. When new, open the filtered water faucet and allow fine, carbon particles to purge from the cartridge. Flush for 10 minutes.

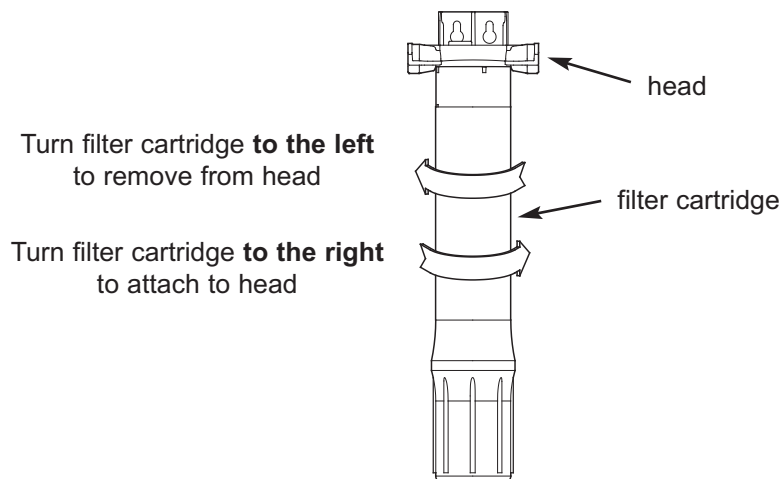


FIG. 6

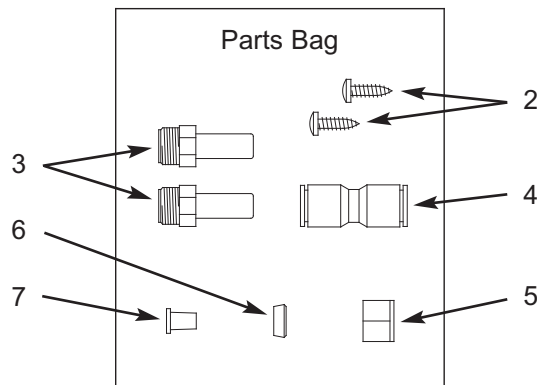
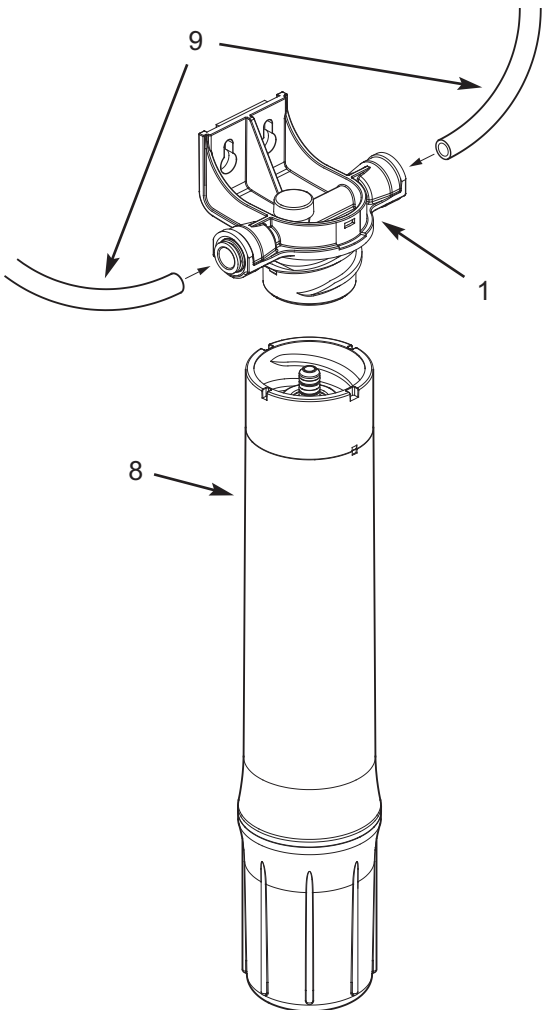
Questions? Call Toll Free 1-800-972-0135 Monday- Friday, 7 AM - 6 PM CST
or visit www.northstarwater.com

When you call, please be prepared to provide the model number and date code, found on the filter head.

Troubleshooting the System

Problem: Taste and/or Odor.	
Cause: Filter cartridge exhausted.	Correction: Replace filter cartridge.
Cause: System contaminated.	Correction: Sanitize system. Call 1-800-972-0135 for instructions.
Problem: Water leaks at push connect fittings.	
Cause: Tubing not pushed in all the way.	Correction: Push tubing in all the way into fittings.
Cause: Tubing not cut square.	Correction: Cut tubing square.
Cause: Tubing nicked.	Correction: Remove nicked portion, reinsert tubing into fitting.
Cause: Outer tubing surface not smooth.	Correction: Remove rough portion, reinsert tubing into fitting.

Parts List



Key No.	Part No.	Description
1	1042-45-HA	Head Assembly with Quick Connect Fittings
–	1147-02-AA	Parts Bag (includes Key Nos. 2-7)
2	↑	Mounting Screws (2)
3	↑	Water Supply Adaptor (2, including 1 spare)
4	↑	Union Connector, 3/8" to 3/8"
5	↑	Compression Nut, 3/8"
6	↑	Ferrule, Plastic, 3/8"
7	↑	Tubing Insert, 3/8"
8	7358284	Repl. Filter Cartridge, Taste & Odor *
9	7168435	Tubing, 3/8" OD x 72" long, White
■	201-8404063	Owner's Manual

* Please purchase replacement cartridges from the retailer where you bought your water filtration system.

■ Not illustrated.

Manufactured and warranted by
North Star Water Treatment Systems
1890 Woodlane Drive
Woodbury, MN 55125

To order repair parts call toll free 1-800-972-0135,
Monday - Friday, 7 am - 6 pm CST.

Performance Data



NORTH STAR™
WATER TREATMENT SYSTEMS

Model NSDW300 Drinking Water Filter

IMPORTANT NOTICE: Read this performance data and compare the capabilities of this unit with your actual water treatment needs. It is recommended that, before purchasing a water treatment unit, you have your water supply tested to determine your actual water treatment needs. This filter system is designed to be used for the reduction of the performance claims listed below. Do not use where water is microbiologically unsafe or of unknown quality, without adequate disinfection before or after the system. Systems certified for cyst reduction may be used on disinfected water that may contain filterable cysts. While testing was performed under standard laboratory conditions, actual performance of this system may vary based on local water conditions. Some or all of the contaminants reduced by this unit may not be in your water supply. See elsewhere in this owner's manual for further instructions on filter cartridge replacement, system installation, operating procedures, and warranty. The maintenance instructions must be followed for the product to perform as indicated below.

PERFORMANCE CLAIMS

Contaminant	Required Influent Level (mg/L) ²	NSF Max. Permissible Effl. Level (mg/L) ²	Average Influent Level (mg/L) ²	Avg. / Max. Effluent Level (mg/L) ²	Avg. / Min. Percent Removal	EPA ¹ Max. Contaminant Level (mg/L) ²
Cyst	≥50,000 #/mL ^{4,5}	99.95% ³	125,000 #/mL ⁴	<1 / <1 #/mL ⁴	99.99 / 99.99	None ⁶
Substance						
Chlorine Taste & Odor	2.0 ±10%	50% ³	2.0	0.22 / 0.47	89 / 77	None ⁶
Particulate, Class I (0.5 to <1 micron)	10,000 #/mL ⁴	85% ³	14,000,000 #/mL ⁴	1,692 / 2,400 #/mL ⁴	99.9 / 99.9	None ⁶

¹ Environmental Protection Agency maximum contaminant level as required under the Safe Drinking Water Act.

² Milligrams per liter, which is equivalent to parts per million (PPM).

³ NSF minimum percent reduction requirement. Acceptance level for this substance is based on percent reduction, rather than maximum effluent concentration.

⁴ Particles per milliliter.

⁵ Test performed using live *Cryptosporidium parvum* oocyst.

⁶ The EPA has not determined a maximum contaminant level for this chemical.

General Information

This filter improves the taste and odor and reduces many chemical contaminants in drinking water.

This system has been tested according to NSF/ANSI 42 and 53 for reduction of substances listed below. The concentration of the indicated substances in water entering the system was reduced to a concentration less than or equal to the permissible limit for water leaving the system, as specified in NSF/ANSI 42 and 53. The testing was performed using spiked tap water at a flow rate of 2 gallons per minute (7.6 L/min.), pH of 7.5 ± 0.5, pressure of 60 psig, and temperature of 68 ± 5°F.

Installation Requirements

Pressure Range30-100 psig (207-689 kPa)
 Temperature Range40-100°F (5-38°C)
 Service Flow Rate2.0 GPM (7.6 LPM)
 Service Life2000 gallons (7570 Liters)

Maintenance

Filter cartridges should be replaced every 2000 gallons or six months, whichever comes first. For replacement elements, call 1-800-972-0135. Replacement filter prices will vary. Estimated costs of replacement filter elements (part number 7358284) range from \$20 to \$40 per filter element.

System tested and certified by NSF International against NSF/ANSI Standard 42 for the reduction of chlorine taste and odor, and Standard 53 for the reduction of cyst.





FOR IOWA USE ONLY

All sales in Iowa require the following signature before consummation of sale. These signatures must be retained by seller/renter for 2 years minimum.

Buyer/Renter _____ Date _____

Seller _____ Date _____

Seller's Address _____

Seller's Phone No. _____

Product: North Star Model NSDW300 Drinking Water Filter