

# "NSCC" Chloramine Reduction System

## Model NSCCTOSSA - Chloramines, Chlorine Taste & Odor Filter:

*Greatly reduces chloramines from city water*  
*Greatly reduces chlorine taste and odor from city water*  
*Backwashing for extended media life*

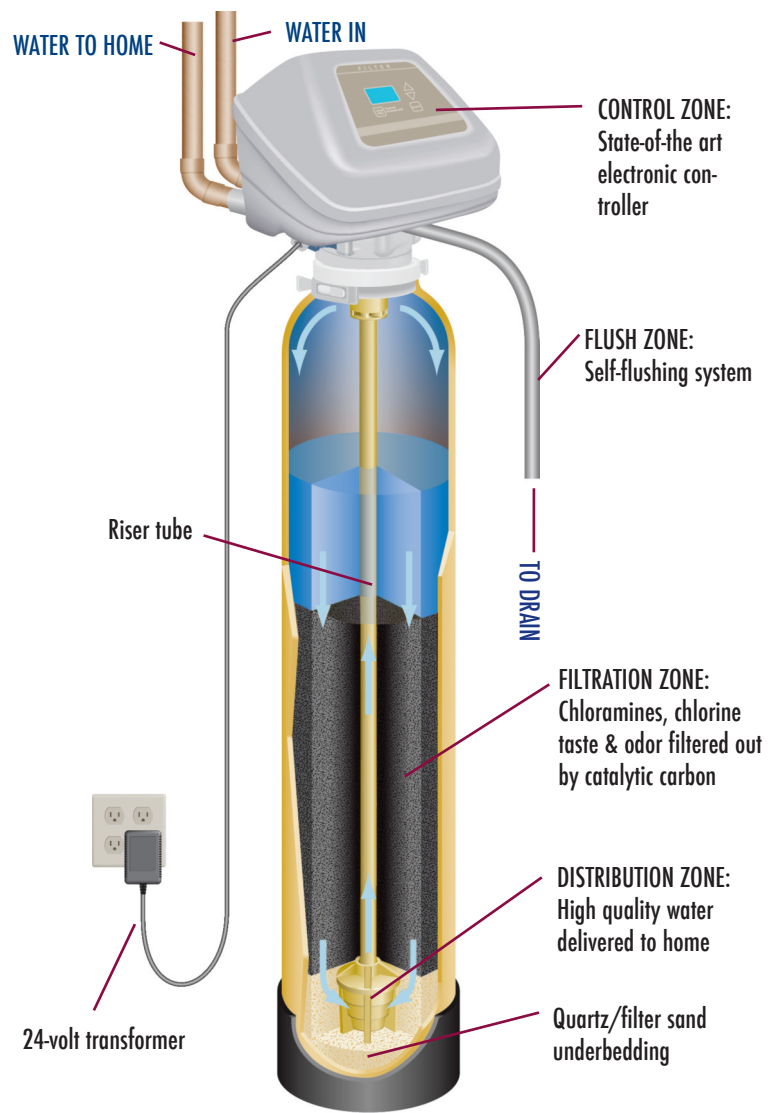
### Features & Benefits

- Clean and easy-to-use
- Chemical free
- High flow rate – 14 gpm
- Suitable for most homes
- Multiple parallel units can be used for maximum flows
- Self-flushing
- Skin protection from chlorine and chloramines
- Large 1" connections
- Coconut shell, high activity catalytic carbon
- Reduces some hydrogen sulfide when present

### How It Works:

Water is passed through a bed of catalytic carbon, trapping chloramines, chlorine taste & odor. Occasionally, the system needs to be backwashed to flush any trapped particles from the system.

Catalytic carbon eventually loses its ability to trap tastes and odors, and the bed must be replaced. The carbon life is dependent on the amount of water used and the severity of the problem.



Designed, Engineered &  
Assembled in the U.S.A.



## What Are Chloramines?

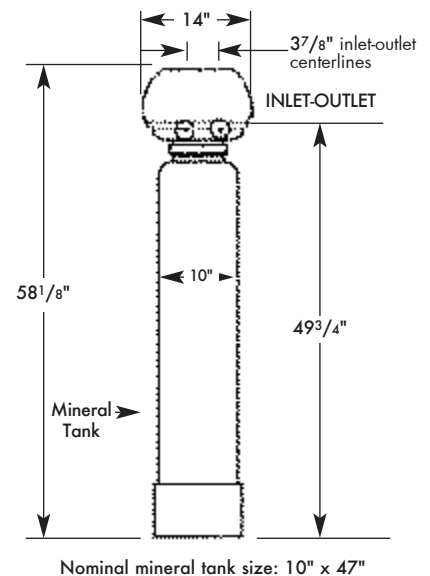
Chloramines are a family of chemicals that are added to some municipal water supplies as a disinfectant. These chemicals have characteristics of both chlorine and ammonia.

- Chloramines can impart an offensive taste and odor to drinking water and beverages
- Chloramines can cause skin irritation and are corrosive in nature
- Chloramine vapors and disinfection byproducts can accumulate in indoor air and concentrate in an enclosed area such as a shower stall, small bathroom, kitchen or apartment
- Chloramines are respiratory irritants, and can cause and/or aggravate respiratory problems
- The US EPA states that there are NO dermal (skin) and NO inhalant (respiratory) studies on chloramine used as a disinfectant for drinking water
- The US EPA states that information on the absorption of inorganic chloramines is extremely limited (<http://www.epa.gov/ncea/pdfs/water/chloramine/dwchloramine.pdf>)
- Clinical reports indicate that acute chloramine exposure, either by inhalation or ingestion, results in burning eyes and throat, shortness of breath, coughing, nausea, reversible pulmonary damage and allergic responses.
- Kidney dialysis patients cannot use water treated with chloramines in their dialysis machine, as it may cause hemolytic anemia
- Chloramines can't be removed by boiling, distillation, regular activated carbon filtration, or by letting water stand uncovered

## Specifications

| Model   | NSCCTOSSA<br>(10" x 47" Tank) |
|---|-------------------------------|
| Type of Filtering Mineral                         | Catalytic Carbon              |
| Recommended Amount of Filter Sand (lbs.)          | 10                            |
| Recommended Limitation Level                      | Variable                      |
| Recommended Amount of Filtering Mineral (cu. ft.) | 0.6                           |
| Inlet Water Pressure Limits (PSI)                 | 20 - 125                      |
| Maximum Water Temperature ( F)                    | 120                           |
| Minimum Inlet Water Flow (gal/hour)               | 270                           |
| Pipe Size   | 1"                            |
| Electrical Rating                                 | 24V 60 Hz                     |
| Service Flow Rates (gpm @ 10 PSI pressure drop)   | 14                            |
| Type of Backwash Process                          | Automatic                     |
| Part Number                                       | 7340794                       |

## Dimensions



**North Star**<sup>®</sup>  
WATER CONDITIONING

A Marmon Water/Berkshire Hathaway Company

1890 Woodlane Drive  
Woodbury, MN 55125  
1-800-972-0135  
FAX 651-731-7497  
[www.northstarconditioning.com](http://www.northstarconditioning.com)

**North Star Water Conditioning**  
5240 Bradco Boulevard  
Mississauga, Ontario  
Canada L4W 1G7  
1-800-79-NORTH

MEMBER  
 **Water Quality**  
ASSOCIATION

 C US

ISO REGISTERED  
 9001

**North Star Water Conditioning**  
Geelseweg 56  
2250 Olen  
Belgium

**North Star Water Conditioning**  
#1 Independent Bus. Pk. Mill Rd.  
Stokenchurch, Bucks  
United Kingdom HP14 3TP